

ALERT SERVICE BULLETIN

Inspection of the propeller gearbox for ROTAX® 912, 914 and 912 i (Series) Aircraft Engines

ATA System: 72-10-00 Fuel system

| MANDATORY | OBLIGATORY | RECOMMENDED | OPTIONAL |
|-----------|------------|-------------|----------|
| X | | | |

Description:

Mandatory: unsafe condition, therefore legally binding after publishing an (E)AD as referenced in EASA CM-21.A-J-001.

Obligatory: no unsafe condition, but BRP-Rotax demands to implement measures referred to in this document.

Recommended: no unsafe condition, BRP-Rotax assumes it is advisable to implement measures referred to in this document.

Optional: no unsafe condition, advancement but no need to implement measures referred to in this document.

1) Planning information

To obtain satisfactory results, procedures specified in this publication must be accomplished with accepted methods in accordance with prevailing legal regulations.

BRP-Rotax GmbH & Co KG cannot accept any responsibility for the quality of work performed in accomplishing the requirements of this publication.

1.1) Applicability

All engines of Series 912 A, 912 F, 912 S, 912 iSc Sport and 914 F are affected if at least one of following criteria applies:

Criterion A) Engine S/N:

These certified ROTAX® engines have been originally delivered from the factory with the possibility of the omission of Hex. Screws M7X16 and / Oil spray nozzle assy.:

NOTE: In case gearbox maintenance was performed, Hex. Screws M7X16 and Oil spray nozzle may have been installed. Check the engine log book.

| Engine type (Series) | Serial number |
|----------------------|--|
| 912 A2 | The serial numbers of affected engine types are mentioned in Chapter 4.1) Appendix NOTE: To search for serial numbers, please use the search function (Ctrl+F) in the PDF. |
| 912 A3 | |
| 912 F2 | |
| 912 F3 | |
| 912 S2 | |
| 912 S3 | |
| 912 iSc2 Sport | |
| 912 iSc3 Sport | |
| 914 F2 | |
| 914 F3 | |

d07278.fm

ALERT SERVICE BULLETIN

On engines with S/N higher than those listed above, additional assembly line checks are in place and hex. screws M7X16 and oil spray nozzle assy. has already been fitted in serial production. This applies either when the propeller gearbox was:

- installed in the original delivery configuration (see columns 2 and 3 of the appendix), or
- subsequently installed during repair, maintenance, or any other gearbox replacement.

Criterion B) Spare parts:

Further, all engines are affected which have been equipped with the following part no.:

| Gearbox type | Serial number |
|--|---|
| 887708 GEARBOX WITH CLUTCH I 2.43-3 | The serial numbers of affected gearbox types are mentioned in Chapter 4.2) Appendix NOTE: To search for serial numbers, please use the search function (Ctrl+F) in the PDF. |
| 887703 GEARBOX WITH CLUTCH I 2.43-2 | |
| 887271 GEARBOX WITH CLUTCH 2.27-3 | |
| 888560 GEARBOX WITHOUT CLUTCH I 2.43-2 | |
| 887281 GEARBOX WITH CLUTCH 2.27-2 | |
| 996605 GEARBOX WITHOUT CLUTCH 2.27-2 | |
| 893341 GEARBOX WITH CLUTCH Version 2 | |
| 893346 GEARBOX WITH CLUTCH Version 3 | |

1.2) Concurrent ASB/SB/SI and SL

In addition to this Alert Service Bulletin the following documents must be observed:

- SI-912 i-001, SI-912-016, SI-914-019, SI-915 i-001, SI-916 i-001, Selection of suitable operating fluids for all ROTAX® 4-stroke Aircraft Engines.
- SI-912 i-023 / SI-912-031 / SI-914-032 / SI-915 i-009 / SI-916 i-009 Change of the Gearbox Configuration for ROTAX® Engine Type 916 i, 915 i, 912 i, 912 and 914 (Series), current revision.
- SI-912-026, SI-914-027, SI-912 i-012 Important notes for installing the ball bearing into the gearbox of ROTAX® Engine Type 912 i, 912 and 914 (Series), current revision.
- in general all relevant Alert Service Bulletins (ASB), Service Bulletins (SB), Service Instructions (SI), Service Letters (SL), Service Instruction - Parts and Accessories (SI-PAC) with relevance to perform this maintenance, repair or overhaul task.

1.3) Reason

BRP-Rotax GmbH & Co KG has identified isolated cases where the oil spray nozzle and the M7x16 hexagon screws securing the propeller shaft bearing in the propeller gearbox were not installed as defined by the approved type design. Investigation has determined that this condition is the result of a deviation from the specified assembly process. The missing screws may allow axial displacement of the propeller shaft bearing. This condition can result in a loss of oil and in a potential in-flight engine shutdown; however, the propeller shaft cannot be pulled out of the gearbox housing.

1.4) Subject

Inspection of the propeller gearbox for ROTAX® 912, 914 and 912 i (Series) Aircraft Engines.

d07278.fm

ALERT SERVICE BULLETIN

1.5) Compliance

- **On stored engines / spare parts:** prior the delivery.
- **On delivered engines / spare parts:** before the initial installation, but at the latest after 1 year (from the date of the initial issue of this Alert Service Bulletin).
- **On already installed engines / spare parts (less than 25 hours of operation):** carry out this inspection before next flight according to the following instructions in section 3, but at the latest after 1 year (from the date of the initial issue of this Alert Service Bulletin).
- **On already installed engines / spare parts (with more than 25 hours of operation):** carry out this inspection at latest within the next 5 hours of operation according to the following instructions in section 3, but at the latest after 1 year (from the date of the initial issue of this Alert Service Bulletin).



Non-compliance with these instructions could result in engine damages, personal injuries or death.

1.6) Approval

The technical content of this document is approved under the authority of the DOA ref. EASA.21J.048.
ONLY FOR ASTM ENGINES: This technical documentation is approved under the relevant processes of the effective BRP-Rotax quality management system. Content concerning certified engine types also applies to ASTM compliant engine types.

1.7) Labor time

A labor credit will be provided for work performed by a technician with current applicable iRMT rating. To apply for labor credit, contact your ROTAX® Authorized Distributor or their independent Service Centers.

1.8) Mass data

Change of weight - - - none
Moment of inertia - - - unaffected

1.9) Electrical load data

No change.

1.10) Software modifications

No change.

ALERT SERVICE BULLETIN

1.11) References

In addition to this technical information refer to current issue of

- in general Illustrated Parts Catalog (IPC) and in particular:
Chapters 61-20-00, 72-10-00 and 73-70-00
- in general Operators Manual (OM)
- in general Installation Manual (IM)
- in general Maintenance Manual Line (MML) and in particular:
Chapters 05-50-00, 12-00-00 and 12-20-00
- in general Maintenance Manual Heavy (MMH) and in particular:
Chapters 61-20-00, 72-10-00 and 73-10-00

NOTE: The status of the Manuals can be determined by checking the table of amendments. The 1st column of this table shows the revision status. Compare this number to the one listed on the ROTAX® website: www.flyrotax.com.
Updates and current revisions can be downloaded for free.

1.12) Other Publications affected

None.

ALERT SERVICE BULLETIN

2) Material Information

2.1) Material

Price and availability will be provided on request by ROTAX® Authorized Distributors or their independent Service Centers.

2.2) Company support information

Any possible support by BRP-Rotax will be provided on request by ROTAX® Authorized Distributors or their independent Service Centers.

Exchanged parts must be returned FCA (Free Carrier) and/or proof of scrapping parts must be provided to ROTAX® Authorized Distributors or their independent Service Centers.

This exchange program and cost sharing is valid until June 23th 2027. Up to this date limited reimbursement of costs can be applied for.

Shipping costs, downtime costs, loss of income, telephone costs etc. or costs of conversion to other engine versions or additional work, as for instance simultaneous engine overhauls are not covered in this scope and will not be borne or reimbursed by ROTAX®.

2.3) Material requirement per engine

Parts requirement for inspection:

2.3.1) 912 (Series)

See Fig. 1.

| Fig.no. | New part no. | Qty/en-gine | Description | Application |
|---------|--------------|-------------|---------------------|-------------|
| 1-1 | 631870 | 1 | O-RING - 23.47X2.62 | Fuel pump |
| 1-2 | 950228 | 1 | ISOLATING FLANGE | Fuel pump |
| 1-3 | 945832 | 2 | LOCK WASHER - A8 | Fuel pump |

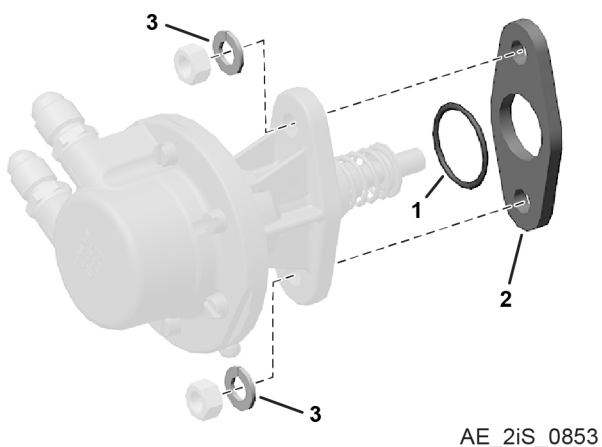


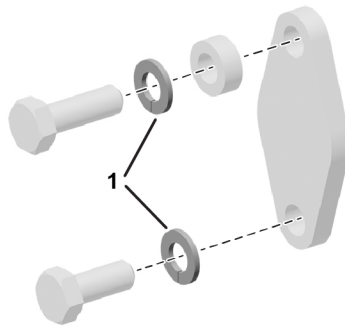
Fig. 1
Parts requirement for inspection - 912 (Series)

ALERT SERVICE BULLETIN

2.3.2) 914 and 912 i (Series)

See Fig. 2.

| Fig.no. | New part no. | Qty/en-gine | Description | Application |
|---------|--------------|-------------|------------------|---------------|
| 2-1 | 945832 | 2 | LOCK WASHER - A8 | Cover gearbox |



AE_2iS_0854

Fig. 2

Parts requirement for inspection - 914 (Series) and 912i (Series)

ALERT SERVICE BULLETIN

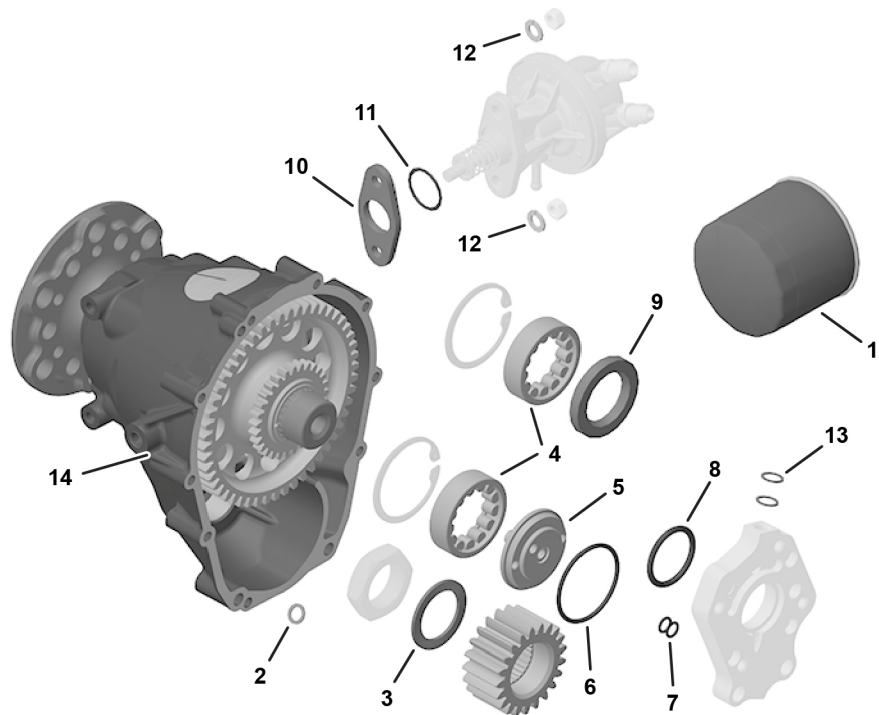
Parts requirement for gearbox replacement:

2.3.3) 912 (Series)

See Fig.3.

| Fig.no. | New part no. | Qty/ engine | Description | Application |
|---|--------------|----------------|--|------------------------------|
| 3-1 | 825016 | 1 | OIL FILTER PACKAGED | Inspection |
| 3-2 | 950141 | 1 | SEALING RING A 8X13 | Lock pin bolt |
| 3-3 | 845431 | 1 | FRICITION WASHER VS30 | Drive gear |
| 3-4 | 232246 | (1) | ROLLER BEARING RNU 205 ECP/ PAB4L | Propeller shaft |
| 3-5 | 810301 | (1) | OIL INLET FLANGE | Propeller shaft ^a |
| 3-6 | 430175 | (1) | O-RING 46X3 | Governor flange ^a |
| 3-7 | 830415 | (2) | O-RING 7X2 | Governor flange ^a |
| 3-8 | 950380 | (1) | O-RING - 32X4 | Governor flange ^a |
| 3-9 | 950200 | 1 | OIL SEAL AS 30X52X7 | Propeller shaft ^b |
| 3-10 | 950228 | (1) | ISOLATING FLANGE | Fuel pump |
| 3-11 | 631870 | (1) | O-RING - 23.47X2.62 | Fuel pump |
| 3-12 | 945832 | 2 | LOCK WASHER - A8 | Fuel pump |
| 3-13 | 230150 | 5 | SEALING RING A 10X14 | Oil line assy |
| 3-14 | 887708 | (1) | GEARBOX WITH CLUTCH I 2.43-3 | |
| 3-14 | 887703 | (1) | GEARBOX WITH CLUTCH I 2.43-2 | |
| 3-14 | 887271 | (1) | GEARBOX WITH CLUTCH 2.27-3 | |
| 3-14 | 888560 | (1) | GEARBOX WITHOUT CLUTCH I 2.43-2 | |
| 3-14 | 887281 | (1) | GEARBOX WITH CLUTCH 2.27-2 | |
| 3-14 | 996605 | (1) | GEARBOX WITHOUT CLUTCH 2.27-2 | |
| 3-15 | * | AR | ENGINE OIL XPS / AEROSHELL SPORT PLUS 4 | Oil level check |
| ^a In case of engine configuration type 3 | | | | |
| ^b In case of engine configuration type 2 | | | | |
| * See SI-912 i-001 / SI-912-016 / SI-914-019 / SI-915 i-001 / SI-916 i-001 Selection of suitable operating fluids for ROTAX® Engine Type 916 i (Series), 915 i (Series), 912 i (Series), 912 and 914 (Series). Current version. | | | | |

ALERT SERVICE BULLETIN



AE_2iS_0855

Fig. 3
Parts requirement for gearbox replacement - 912 (Series)

ALERT SERVICE BULLETIN

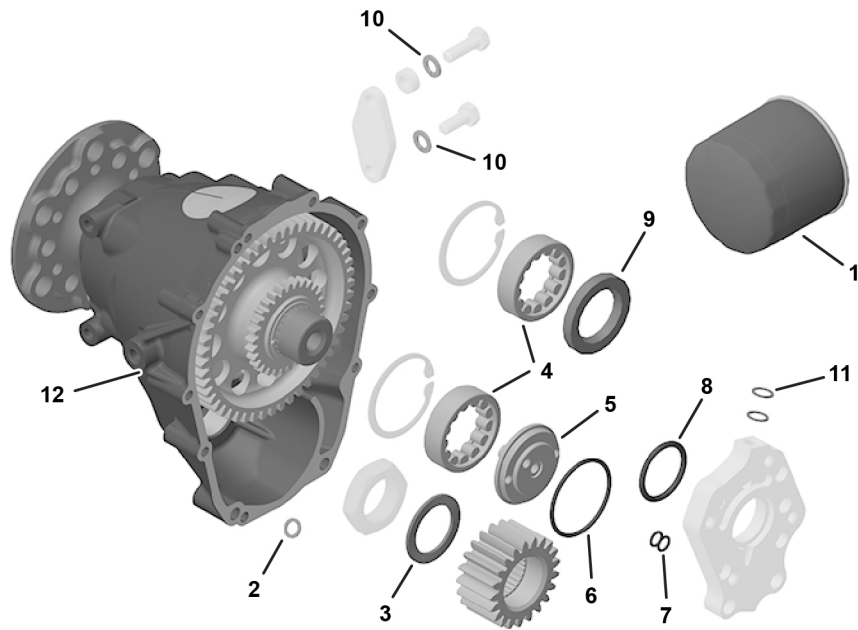
2.3.4) 914 (Series)

See Fig. 4.

| Fig.no. | New part no. | Qty/en-gine | Description | Application |
|---|--------------|-------------|---|------------------------------|
| 4-1 | 825016 | 1 | OIL FILTER PACK-AGED | Inspection |
| 4-2 | 950141 | 1 | SEALING RING A 8X13 | Lock pin bolt |
| 4-3 | 845431 | 1 | FRICTION WASHER VS30 | Drive gear |
| 4-4 | 232246 | (1) | ROLLER BEARING RNU 205 ECP/PAB4L | Propeller shaft |
| 4-5 | 810301 | (1) | OIL INLET FLANGE | Propeller shaft ^a |
| 4-6 | 430175 | (1) | O-RING 46X3 | Governor flange ^a |
| 4-7 | 830415 | (2) | O-RING 7X2 | Governor flange ^a |
| 4-8 | 950380 | (1) | O-RING - 32X4 | Governor flange ^a |
| 4-9 | 950200 | 1 | OIL SEAL AS 30X52X7 | Propeller shaft ^b |
| 4-10 | 945832 | 2 | LOCK WASHER - A8 | Cover |
| 4-11 | 230150 | 5 | SEALING RING A 10X14 | Oil line assy |
| 4-12 | 887708 | (1) | GEARBOX WITH CLUTCH I 2.43-3 | |
| 4-12 | 887703 | (1) | GEARBOX WITH CLUTCH I 2.43-2 | |
| 4-12 | 888560 | (1) | GEARBOX WITHOUT CLUTCH I 2.43-2 | |
| 4-13 | * | AR | ENGINE OIL XPS / AEROSHELL SPORT PLUS 4 | Oil level check |
| ^a In case of engine configuration type 3 | | | | |
| ^b In case of engine configuration type 2 | | | | |
| * See SI-912 i-001 / SI-912-016 / SI-914-019 / SI-915 i-001 / SI-916 i-001 Selection of suitable operating fluids for ROTAX® Engine Type 916 i (Series), 915 i (Series), 912 i (Series), 912 and 914 (Series). Current version. | | | | |

ALERT SERVICE BULLETIN

See Fig.4.



AE_2iS_0856

Fig. 4
Parts requirement for gearbox replacement - 914 (Series)

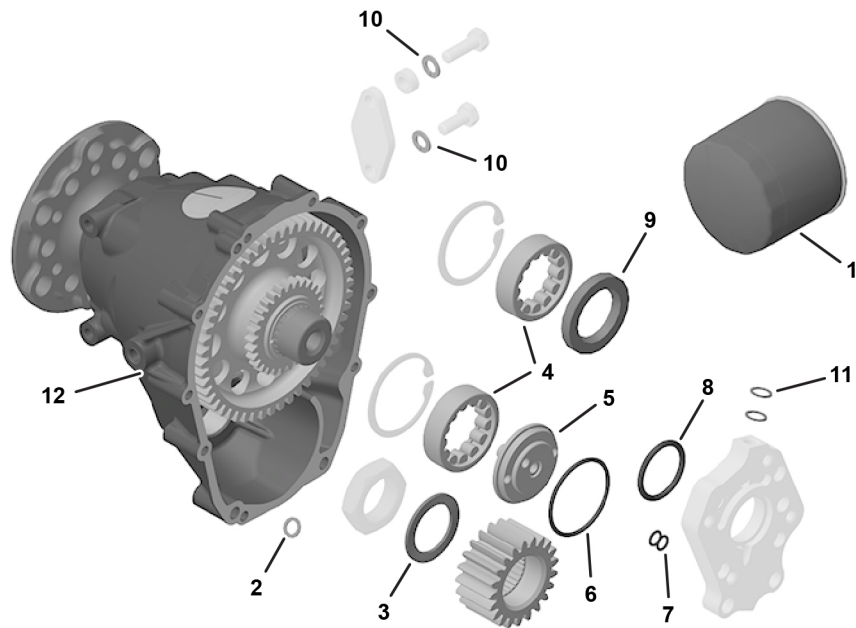
ALERT SERVICE BULLETIN

2.4) 912 i (Series)

See Fig. 5

| Fig.no. | New part no. | Qty/en-gine | Description | Application |
|---|--------------|-------------|---|------------------------------|
| 5-1 | 825016 | 1 | OIL FILTER PACKAGED | Inspection |
| 5-2 | 950141 | 1 | SEALING RING A 8X13 | Lock pin bolt |
| 5-3 | 845431 | 1 | FRICTION WASHER VS30 | Drive gear |
| 5-4 | 232246 | (1) | ROLLER BEARING RNU 205 ECP/PAB4L | Propeller shaft |
| 5-5 | 810301 | (1) | OIL INLET FLANGE | Propeller shaft ^a |
| 5-6 | 430175 | (1) | O-RING 46X3 | Governor flange ^a |
| 5-7 | 830415 | (2) | O-RING 7X2 | Governor flange ^a |
| 5-8 | 950380 | (1) | O-RING - 32X4 | Governor flange ^a |
| 5-9 | 950200 | 1 | OIL SEAL AS 30X52X7 | Propeller shaft ^b |
| 5-10 | 945832 | 2 | LOCK WASHER - A8 | Fuel pump |
| 5-11 | 230150 | 5 | SEALING RING A 10X14 | Oil line assy |
| 5-12 | 893341 | (1) | GEARBOX WITH CLUTCH Version 2 | |
| 5-12 | 893346 | (1) | GEARBOX WITH CLUTCH Version 3 | |
| 5-13 | * | AR | ENGINE OIL XPS / AEROSHELL SPORT PLUS 4 | Oil level check |
| ^a In case of engine configuration type 3 | | | | |
| ^b In case of engine configuration type 2 | | | | |
| * See SI-912 i-001 / SI-912-016 / SI-914-019 / SI-915 i-001 / SI-916 i-001 Selection of suitable operating fluids for ROTAX® Engine Type 916 i (Series), 915 i (Series), 912 i (Series), 912 and 914 (Series). Current version. | | | | |

ALERT SERVICE BULLETIN



AE_2iS_0857

Fig. 5
Parts requirement for gearbox replacement - 912 i (Series)

2.5) Material requirement per spare part

None.

2.6) Rework of parts

None.

ALERT SERVICE BULLETIN

2.7) Special tooling/lubricants- /adhesives- /sealing compounds

Price and availability will be supplied on request by ROTAX® Authorized Distributors or their independent Service Centers:

| Fig. no. | Description | Qty / engine | Part no. | Application |
|----------|--------------------------------|--------------|----------|---------------------------------|
| 6-1 | PULLER ASSY. | 1 | 877660 | Propeller gearbox |
| 6-2 | LOCKING PIN | 1 | 240880 | Crankshaft |
| 6-3 | EXTRACTOR ASSY. | 1 | 877615 | Propeller shaft, Needle bearing |
| 6-4 | STUD M10x45/20 | 1 | 941180 | Roller Bearing |
| 6-5 | PULL-OUT PLATE | 1 | 877561 | Roller Bearing |
| 6-6 | HEX. NUT M10 | 1 | 242092 | Roller Bearing |
| 6-7 | PULLER ASSY. | 1 | 876489 | Roller Bearing |
| 6-8 | PRESS-IN JIG | 1 | 877594 | Oil seal |
| 6-9 | PRESS-IN MUSHROOM | 1 | 877590 | Roller Bearing |
| 6-10 | SOCKET WRENCH ASSY. 41X12.5 | 1 | 877445 | Hex. nut M30X1.5 |
| - | LOCTITE 7063 | AR | - | Cleaning / degreasing |
| - | LOCTITE 243 | AR | 897651 | Oil inlet flange, Hex. screws |
| - | LOCTITE 648 | AR | 899788 | Hex. nut M30X1.5 |
| - | LOCTITE 5910 | AR | 899791 | Propeller gearbox |

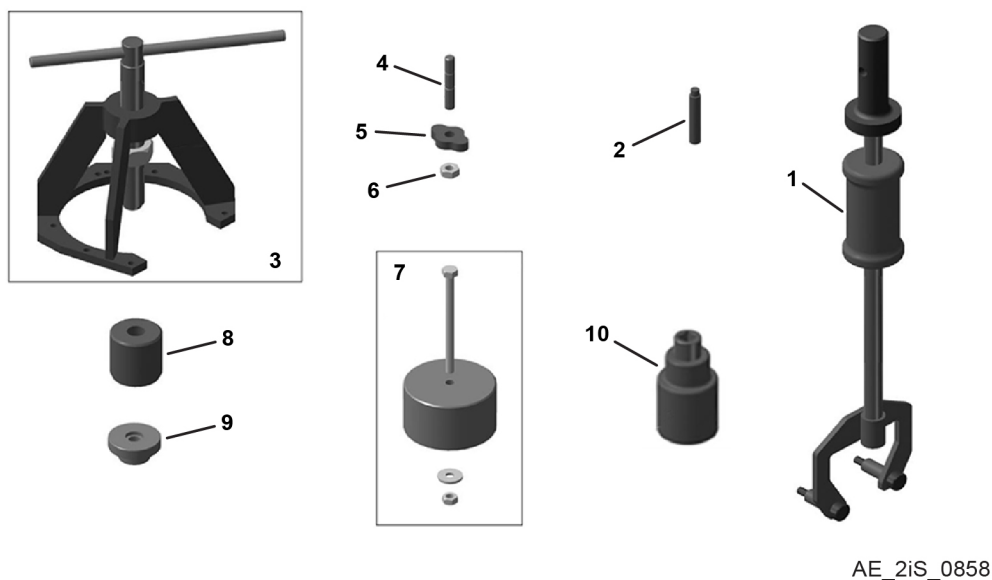


Fig. 6
Special tools

d07278.fm

ALERT SERVICE BULLETIN

NOTICE

If using these special tools observe the manufacturers specifications.

3) Accomplishment/Instructions

ROTAX® reserves the right to make any amendments to existing documents, which might become necessary due to this standardization, at the time of next revision or issue.

NOTE: Before maintenance, review the entire documentation to make sure you have a complete understanding of the procedure and requirements.

Accomplishment

All measures must be implemented and confirmed by at least one of the following persons or organizations:

- ROTAX® - Airworthiness representatives
- ROTAX® - Authorized Distributors or their independent Service Centers
- Persons approved by the respective Aviation Authorities
- Persons with approved qualifications for the corresponding engine types. Only authorized persons (iRMT, Level Heavy Maintenance) are entitled to carry out this work
- Persons with type-specific training

NOTE: Indicates supplementary information which may be needed to fully complete or understand an instruction.



All work has to be performed in accordance with the relevant ROTAX® Instructions for Continued Airworthiness (ICA) of the respective engine type.

General

Further material on general inspection, maintenance and repair can also be found in relevant Advisory Circular AC 43.13 from FAA.

Advisory Circular Procedure

The Advisory Circular (AC) contains maintenance methods, techniques and practices.

| Step | Procedure |
|------|--|
| 1 | Check the criteria given on page 1, section 1.1, if the aircraft engine is affected by this ASB. |
| 2 | Check the engine logbook and maintenance documentation, if this ASB has already been accomplished. |

3.1) Illustrated Parts Catalog - related information



See current Illustrated Parts Catalog (IPC) for the respective engine type, Chapters 61-20-00, 72-10-00 and 73-10-00.

d07278.fm

ALERT SERVICE BULLETIN

3.2) Installation - related information



See current Installation Manual (IM) for the respective engine type.

3.3) Operation - related information



See current Operators Manual (OM) for the respective engine type.
See also

3.4) Maintenance (Line) - related information



See current Maintenance Manual Line (MML) for the respective engine type, Chapters 05-50-00, 12-00-00 and 12-20-00.

ALERT SERVICE BULLETIN

3.5) Maintenance (Heavy) - related information

3.5.1) Inspection of the propeller gearbox - 912 (Series)

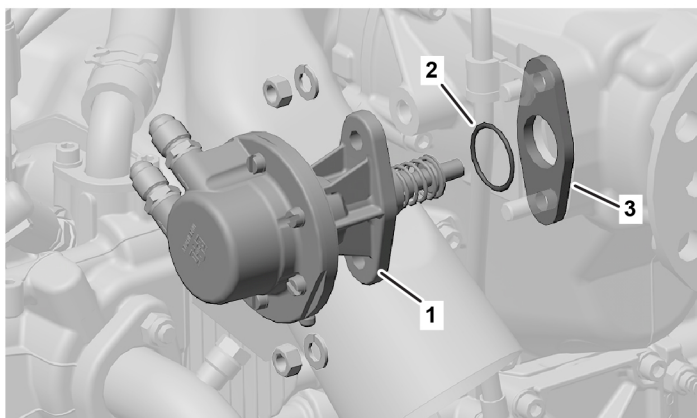
Before the propeller gearbox is removed, the work described below must be carried out:

- General visual inspection, see current Maintenance Manual Line (MML) for the respective engine type, Chapter 05-20-00, Section Visual inspection.

See Fig. 7.

| Step | Procedure |
|------|--|
| 1 | Remove the Fuel pump (1), O-ring (2) and Isolating flange (3) from the gearbox housing. See current Maintenance Manual Heavy (MMH) for the respective engine type, Chapter 73-10-00, Section Fuel Pump - Removal. |

- 1 Fuel pump
- 2 O-ring
- 3 Isolating flange



AE_2iS_0859

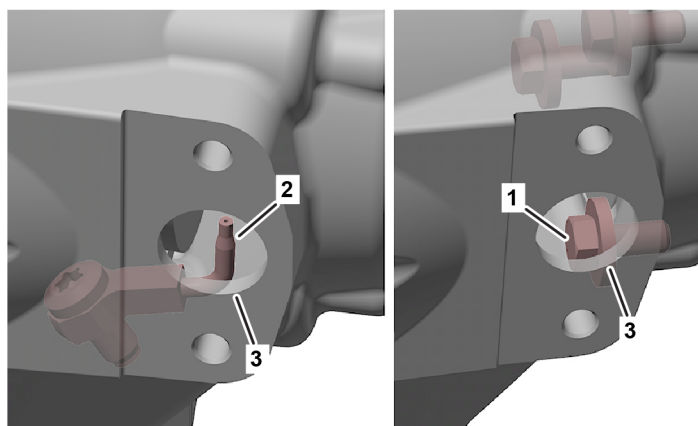
Fig. 7

ALERT SERVICE BULLETIN

See Fig. 8.

| Step | Procedure |
|------|--|
| 2 | <p>Inspect for the presence of at least one Hex. Screw M7X16 (1) and Oil spray nozzle assy. (2) (Due to the automated fastening process, the presence of one visible screw is considered sufficient evidence that all associated screws have been properly installed) through the fuel pump drive opening of Gearbox housing (3).</p> <p>NOTE: In case of low visibility, utilize specific flashlight and/or boroscope tools. Follow the manufacturer instruction in case of usage of such standard tools.</p> <p>NOTE: If Hex. Screw M7X16 and Oil spray nozzle assy. are present, proceed to step 3.</p> <p>NOTE: If no Hex. Screw M7X16 and no Oil spray nozzle assy. are present, proceed to section 3.5.3.</p> |

- 1 Hex Screw M7X16
- 2 Oil spray nozzle
- 3 Gearbox housing



AE_2iS_0860

Fig. 8

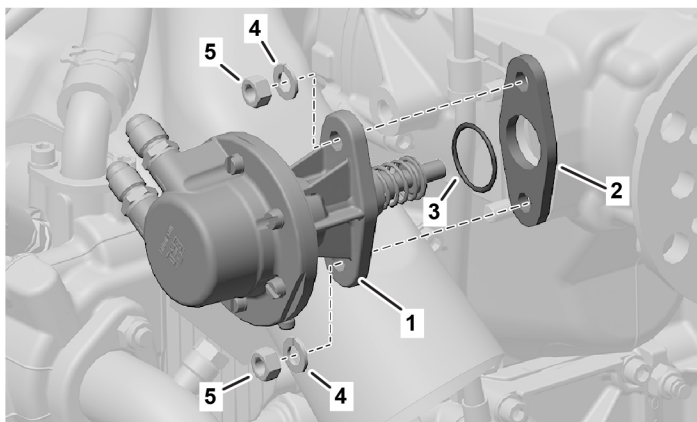
See Fig. 9.

| Step | Procedure |
|------|--|
| 3 | <p>Install the Fuel pump (1) over fuel pump drive opening on gearbox housing with new Isolating flange (2), O-ring (3) and Lock washer A6 (4).</p> <p>See current Maintenance Manual Heavy (MMH) for the respective engine type, Chapter 73-10-00, Section - Fuel pump installation.</p> |

d07278.fm

ALERT SERVICE BULLETIN

- 1 Fuel pump assy.
- 2 Isolating flange
- 3 O-ring
- 4 Lock washer A6
- 5 Lock nuts M6



AE_2iS_0861

Fig. 9

- Replenish operating fluids or check filling levels, see current Maintenance Manual Line (MML) for the respective engine type, Chapter 12-00-00.
- Purge the oil system, see current Installation Manual (IM) for the respective engine type, Chapter 79-00-00, Section Purging the lubrication system.
- Make an entry in the engine logbook stating the execution of this Alert Service Bulletin and the operations performed.
- Restore aircraft to original operating configuration.
- Connect negative terminal of aircraft battery.
- Proceed to section 3.6.

ALERT SERVICE BULLETIN

3.5.2) Inspection of the propeller gearbox - 914 and 912 i (Series)

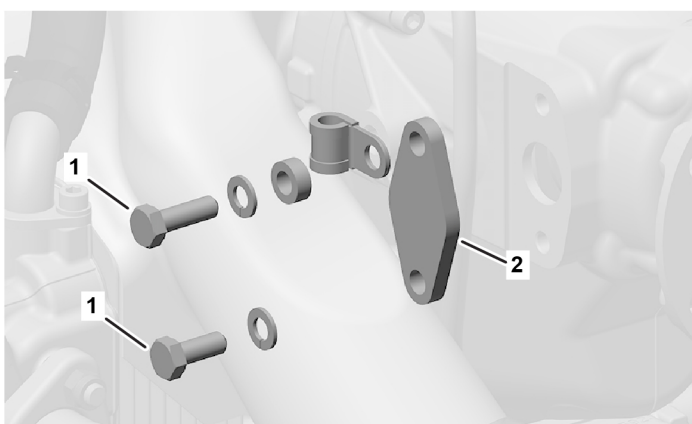
Before the propeller gearbox is removed, the work described below must be carried out:

- General visual inspection, see current Maintenance Manual Line (MML) for the respective engine type, Chapter 05-20-00, Section Visual inspection.

See Fig. 10.

| Step | Procedure |
|------|--|
| 1 | Loosen the Hex. screws M8X20 (1) and remove Cover (2) from the gearbox housing. See current Maintenance Manual Heavy (MMH) for the respective engine type, Chapter 72-10-00. |

1 Hex. Screw M8X20
2 Cover



AE_2iS_0862

Fig. 10

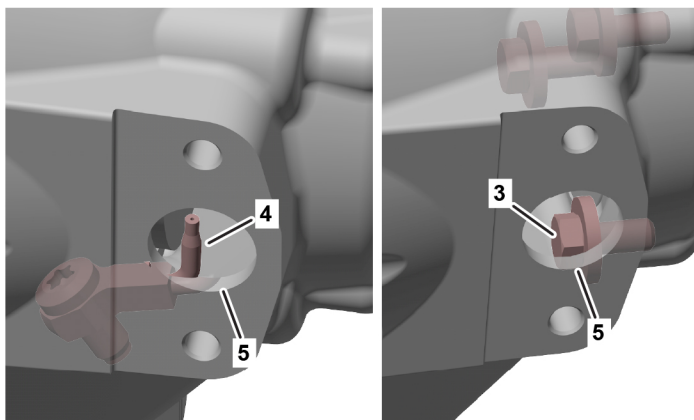
See Fig. 11.

| Step | Procedure |
|------|---|
| 2 | <p>Inspect for the presence of at least one Hex. Screw M7X16 (3) and Oil spray nozzle assy. (4)(Due to the automated fastening process, the presence of one visible screw is considered sufficient evidence that all associated screws have been properly installed) through the fuel pump drive opening of Gearbox housing (5).</p> <p>NOTE: In case of low visibility, utilize specific flashlight and/or boroscope tools. Follow the manufacturer instruction in case of usage of such standard tools.</p> <p>NOTE: If Hex. Screw M7X16 and Oil spray nozzle assy. are present, proceed to step 3.</p> <p>NOTE: If no Hex. Screw M7X16 and no Oil spray nozzle assy. are present, proceed to section 3.5.3.</p> |

d07278.fm

ALERT SERVICE BULLETIN

- 3 Hex Screw M7X16
- 4 Oil spray nozzle
- 5 Fuel pump drive opening



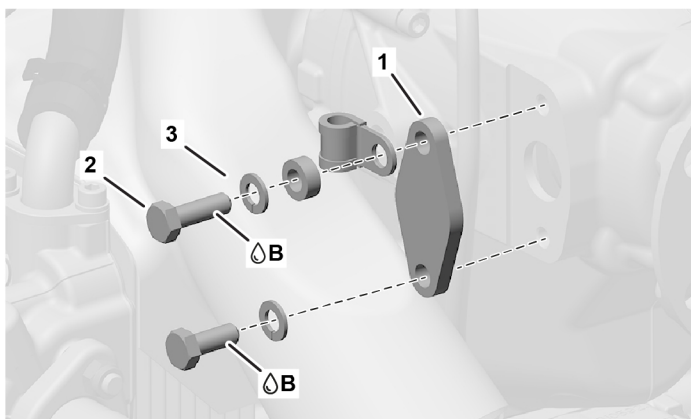
AE_2iS_0863

Fig. 11

See Fig. 12.

| Step | Procedure |
|------|---|
| 3 | Install Cover (1) over fuel pump drive opening on gearbox housing. Attach using Hex Screws M8 (2) and new Lock washers A8 (3). See current Maintenance Manual Heavy (MMH) for the respective engine type, Chapter 72-10-00. |

- 1 Cover
- 2 Hex. Screws M8
- 3 Lock washer A8



AE_2iS_0864

Fig. 12

- Replenish operating fluids or check filling levels, see current Maintenance Manual Line (MML) for the respective engine type, Chapter 12-00-00.
- Purge the oil system, see current Installation Manual (IM) for the respective engine type, Chapter 79-00-00, Section Purging the lubrication system.
- Make an entry in the engine logbook stating the execution of this Alert Service Bulletin and the operations performed.
- Restore aircraft to original operating configuration.

d07278.fm

ALERT SERVICE BULLETIN

- Connect negative terminal of aircraft battery.
- Proceed to section 3.6

3.5.3) Replacement of propeller gearbox

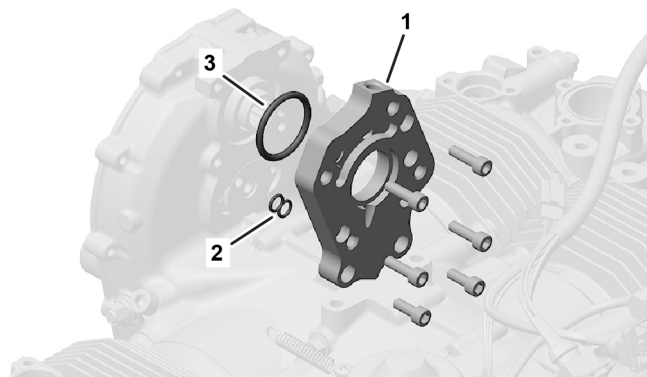
Before the propeller gearbox is removed, the work described below must be carried out:

- General visual inspection, see current Maintenance Manual Line (MML) for the respective engine type, Chapter 05-20-00, Section Visual inspection.
- Remove the surrounding assemblies, see current airframe and propeller manufacturer's instructions.
- If installed, remove the gearbox oil line assy, see current Maintenance Manual Heavy (MMH) for the respective engine type, Chapter 61-20-00, Section Removal.
- If installed, remove the external alternator, see current Maintenance Manual Heavy (MMH) for the respective engine type, Chapter 24-30-00, Section Removal.
- Remove the gearbox, see current Maintenance Manual Line (MML) for the respective engine type, Chapter 05-50-00, Section Removal of the propeller gearbox.

See Fig. 13.

| Step | Procedure |
|------|--|
| 1 | Remove Governor flange (1), O-rings 7x2 (2) and O-ring 32x4 (3) (configuration 3). See current Maintenance Manual Heavy (MMH) for the respective engine type, Chapter 61-20-00, Section Governor flange - removal. |

- 1 Governor flange
- 2 O-rings 7x2
- 3 O-ring 32x4



AE_2iS_0865

Fig. 13

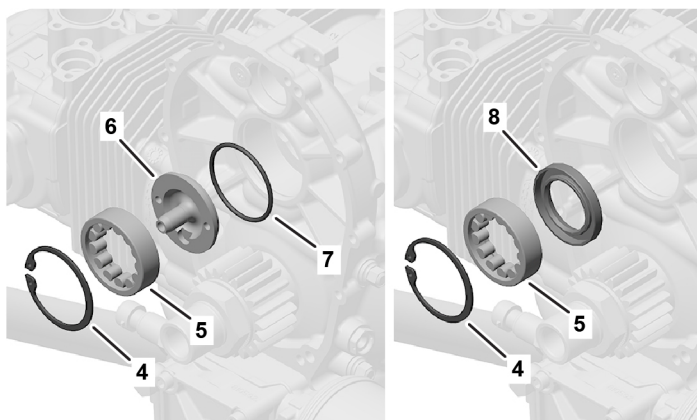
See Fig. 14.

| Step | Procedure |
|------|---|
| 2 | Remove the retaining ring (4), Roller bearing (5), Oil inlet flange (6) and O-ring 46x3 (7) (Configuration 3). Remove the Retaining ring (4), Roller bearing (5) and Oil seal 30x52x7 (8) (Configuration 2). See current Maintenance Manual Heavy (MMH) for the respective engine type, Chapter 72-10-00, Section Roller bearing - Installation (configuration 2 or 3). |

d07278.fm

ALERT SERVICE BULLETIN

- 4 Retaining ring
- 5 Roller bearing
- 6 Oil inlet flange
- 7 O-ring 46x3
- 8 Oil seal 30X52X7



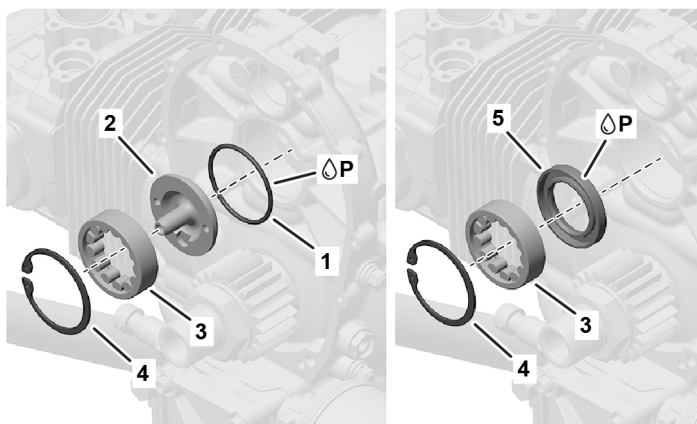
AE_2iS_0866

Fig. 14

See Fig. 15.

| Step | Procedure |
|------|--|
| 3 | <p>Install the O-ring 46x3 (1), Oil inlet flange (2), Roller bearing (3) and Retaining ring (4) (Configuration 3). See current Maintenance Manual Heavy (MMH) for the respective engine type, Chapter 72-10-00., Section Removal of Roller bearing - configuration 2 or 3.</p> <p>NOTE: Roller bearing (3), Oil inlet flange (2) and O-ring 46x3 (1) to be replaced with new.</p> <p>Install the Oil seal (5), Roller bearing (3) and Retaining ring (4) (Configuration 2). See current Maintenance Manual Heavy (MMH) for the respective engine type, Chapter 72-10-00.</p> <p>NOTE: Roller bearing (3) and Oil seal (5) to be replaced with new.</p> |

- 1 O-ring 46x3
- 2 Oil inlet flange
- 3 Roller bearing
- 4 Retaining ring
- 5 Oil seal AS 30X52X7



AE_2iS_0867

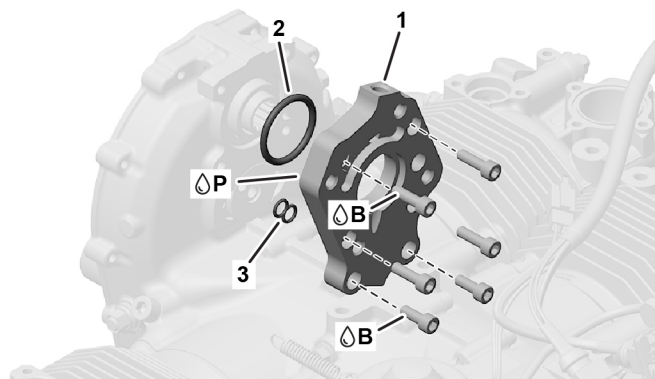
Fig. 15

ALERT SERVICE BULLETIN

See Fig. 16.

| Step | Procedure |
|------|---|
| 4 | Install Governor flange (1) with new O-rings 7X2 (2) and O-ring 32X4 (3). See current Maintenance Manual Heavy (MMH) for the respective engine type, Chapter 61-20-00, Section Governor flange - installation. |

- 1 Governor flange
- 2 O-ring 32X4
- 3 O-ring 7X2



AE_2iS_0868

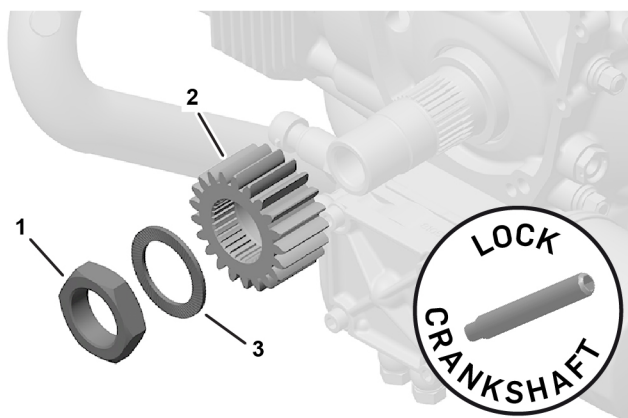
Fig. 16

See Fig. 17.

| Step | Procedure |
|------|--|
| 6 | Lock the crankshaft into place. See current Maintenance Manual Line (MML) for the respective engine type, Chapter 12-20-00, Section - Lock / loosen the crankshaft. |
| 7 | Remove the Hex. nut M30x1.5 (1), Drive gear (2) and Friction washer (3) from the crankshaft. See current Maintenance Manual Line (MML) for the respective engine type, Chapter 05-50-00 Section - Drive gear removal. |

ALERT SERVICE BULLETIN

- 1 Hex. nut M30x1.5
- 2 Drive gear
- 3 Friction washer



AE_2iS_0869

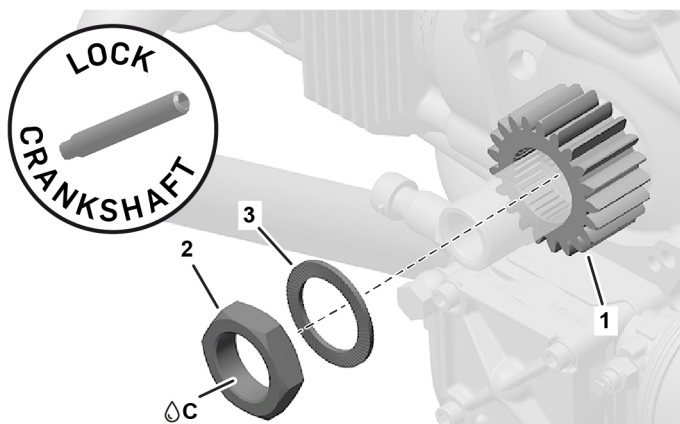
Fig. 17

- Clean and degrease all parts carefully
- Remove LOCTITE adhesive residue with LOCTITE 7063
- Visual inspection of the crankshaft on the power take off side

See Fig. 18.

| Step | Procedure |
|------|--|
| 8 | Push the new Drive gear (1) onto the crankshaft. NOTE: Due to limited tolerances, it may be difficult to push the drive gear onto the end of the crankshaft. If necessary, turn it and push it on in another position. |
| 9 | Secure the Hex. nut M30x1.5 (2) with LOCTITE 648 and screw it counter clockwise left hand threads onto the crankshaft along with new Friction washer VS-30 (3). Tightening torque 300 Nm (221 ft.lb.). |

- 1 Drive gear
- 2 Hex. nut M30x1.5
- 3 Friction washer
- C LOCTITE 648



AE_2iS_0870

Fig. 18

d07278.fm

ALERT SERVICE BULLETIN

See Fig. 19.

| Step | Procedure |
|------|--|
| 10 | Replace the propeller gearbox. See current Maintenance Manual Line (MML) for the respective engine type, Chapter 05-50-00, Section - Installation of the propeller gearbox. NOTE: Before installing the new gearbox, verify the configuration of your engine (2 or 3). Refer to the current Illustrated Parts Catalog (IPC) for the respective engine type, Chapter 72-10-00. |

C LOCTITE648
P LOCTITE 5910

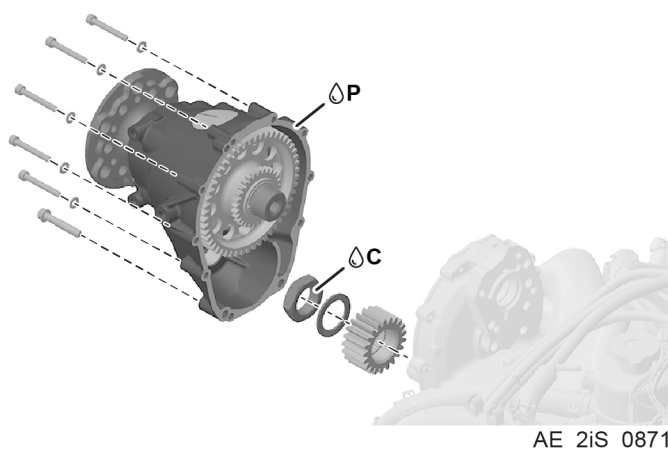


Fig. 19

- Remove locking pin and install Allen screw with new sealing ring. See current Maintenance Manual Line (MML) for the respective engine type, Chapter 12-20-00, Section - Lock / loosen the crankshaft.
- Install the gearbox oil line assy, see current Maintenance Manual Heavy (MMH) for the respective engine type, Chapter 61-20-00, Section Installation.
- If equipped, install the external alternator, see current Maintenance Manual Heavy (MMH) for the respective engine type, Chapter 24-30-00, Section Installation.
- Install the surrounding assemblies, see current airframe and propeller manufacturer's instructions.
- Replenish operating fluids or check filling levels, see current Maintenance Manual Line (MML) for the respective engine type, Chapter 12-00-00.
- Purge the oil system, see current Installation Manual (IM) for the respective engine type, Chapter 79-00-00, section Purging the lubrication system.
- Make an entry in the engine logbook stating the execution of this Alert Service Bulletin and the operations performed.
- Restore aircraft to original operating configuration.
- Connect negative terminal of aircraft battery.

d07278.fm

ALERT SERVICE BULLETIN

3.6) Test run

Conduct test run.

In case of uninstalled engines test run is accomplished with the mandatory test run after installation into aircraft.



See Chapter 12-20-00 of the latest Maintenance Manual Line (MML) for the respective engine type.

3.7) Summary

These instructions (section 3) have to be followed in accordance with the deadlines specified in section 1.5.

The execution of the mandatory Service Bulletin must be confirmed in the logbook.

NOTE: Work on EASA certified parts might affect the EASA Form 1 and does require appropriate documentation by authorized persons. Repairs must be entered into the engine logbook and also do apply for the EASA Form 1.

I A revision bar outside of the page margin indicates a change to text or graphic.

Translation into other languages might be performed in the course of language localization but does not lie within ROTAX® scope of responsibility.

In any case the original text in English language and the metric units are authoritative.

3.8) Inquiries

Inquiries regarding this Alert Service Bulletin should be sent to the ROTAX® Authorized Distributor of your area.

A list of all ROTAX® Authorized Distributors or their independent Service Centers is provided on <https://dealerlocator.flyrotax.com>.

ALERT SERVICE BULLETIN

4) Appendix

4.1) Gearbox installed on engines

See attached S/N list of affected (suspect) propeller gearboxes, with engine S/N on which latest known to be installed.

NOTE: To search for serial numbers, please use the search function (Ctrl+F) in the PDF.

NOTE: This list includes both certified engine types and ASTM-compliant engine types. The applicability to a specific engine configuration must be verified by the persons/organizations performing this work.

| Gearbox S/N | Engine Type | Engine S/N |
|--------------------|--------------------|-------------------|
| 88086 | 912 ULS2-01 | 10001896 |
| 88503 | 912 S3-01 | 10002388 |
| 89760 | 912 S3-01 | 10003839 |
| 91085 | 912 UL2-01 | 10005532 |
| 92752 | 912 S3-01 | 10007812 |
| 94933 | 912 S3-01 | 10011275 |
| 95785 | 912 ULS2-01 | 10012437 |
| 95849 | 912 ULS2-01 | 10012539 |
| 95991 | 912 ULS2-01 | 10012718 |
| 96002 | 912 ULS2-01 | 10012737 |
| 96031 | 912 S3-01 | 10012776 |
| 96046 | 912 S3-01 | 10012815 |
| 96107 | 912 S2-01 | 10012906 |
| 96169 | 912 ULS2-01 | 10012965 |
| 96160 | 912 S3-01 | 10012997 |
| 96220 | 912 ULS2-01 | 10013079 |
| 962320 | 912 ULS2-01 | 10013219 |
| 962322 | 912 ULS2-01 | 10013220 |
| 260689 | 912 ULS2-01 | 10014037 |
| 260688 | 912 ULS2-01 | 10014039 |

| Gearbox S/N | Engine Type | Engine S/N |
|--------------------|--------------------|-------------------|
| 88110 | 912 iS2 Sport | 10001910 |
| 88281 | 912 iS3 Sport | 10002129 |
| 88774 | 912 iSc3 Sport | 10002708 |
| 88776 | 912 iSc3 Sport | 10002709 |
| 88796 | 912 iS3 Sport | 10002725 |
| 88797 | 912 iS3 Sport | 10002727 |
| 89244 | 912 iS3 Sport | 10003257 |
| 89248 | 912 iS3 Sport | 10003260 |
| 89250 | 912 iS3 Sport | 10003261 |
| 89291 | 912 iS3 Sport | 10003304 |
| 89298 | 912 iS3 Sport | 10003309 |
| 89369 | 912 iS3 Sport | 10003390 |
| 89368 | 912 iS3 Sport | 10003391 |
| 89385 | 912 iS3 Sport | 10003406 |
| 89526 | 912 iS2 Sport | 10003541 |
| 89678 | 912 iS3 Sport | 10003727 |
| 89692 | 912 iS3 Sport | 10003742 |
| 89705 | 912 iS3 Sport | 10003756 |
| 89845 | 912 iSc3 Sport | 10003947 |
| 90068 | 912 iS3 Sport | 10004164 |
| 90067 | 912 iS3 Sport | 10004165 |
| 90086 | 912 iS3 Sport | 10004178 |
| 90089 | 912 iS3 Sport | 10004181 |
| 90090 | 912 iS3 Sport | 10004182 |
| 90174 | 912 iS2 Sport | 10004275 |
| 90166 | 912 iS3 Sport | 10004276 |
| 90165 | 912 iS3 Sport | 10004277 |
| 90164 | 912 iS3 Sport | 10004278 |
| 90168 | 912 iS2 Sport | 10004281 |
| 90177 | 912 iS2 Sport | 10004285 |
| 90182 | 912 iS2 Sport | 10004290 |
| 90180 | 912 iS2 Sport | 10004292 |
| 90184 | 912 iS2 Sport | 10004293 |
| 90264 | 912 iS2 Sport | 10004409 |
| 90564 | 912 iS3 Sport | 10004786 |
| 90566 | 912 iS3 Sport | 10004787 |
| 90557 | 912 iS2 Sport | 10004792 |
| 90556 | 912 iS2 Sport | 10004794 |
| 90568 | 912 iS2 Sport | 10004797 |
| 90570 | 912 iS2 Sport | 10004802 |
| 90577 | 912 iS2 Sport | 10004806 |
| 90578 | 912 iS2 Sport | 10004807 |
| 90584 | 912 iS3 Sport | 10004810 |
| 90585 | 912 iS3 Sport | 10004811 |
| 90583 | 912 iS3 Sport | 10004813 |
| 90644 | 912 iSc3 Sport | 10004906 |
| 90648 | 912 iSc3 Sport | 10004908 |
| 90640 | 912 iSc3 Sport | 10004911 |
| 90775 | 912 iSc2 Sport | 10005094 |
| 90778 | 912 iSc3 Sport | 10005099 |
| 90782 | 912 iSc3 Sport | 10005102 |

| Gearbox S/N | Engine Type | Engine S/N |
|--------------------|--------------------|-------------------|
| 90787 | 912 iSc3 Sport | 10005104 |
| 90786 | 912 iSc3 Sport | 10005106 |
| 90790 | 912 iSc3 Sport | 10005109 |
| 90793 | 912 iSc3 Sport | 10005111 |
| 90795 | 912 iSc3 Sport | 10005113 |
| 90806 | 912 iS2 Sport | 10005116 |
| 90807 | 912 iS2 Sport | 10005122 |
| 90797 | 912 iS3 Sport | 10005124 |
| 90798 | 912 iS3 Sport | 10005125 |
| 90800 | 912 iS3 Sport | 10005126 |
| 90801 | 912 iS3 Sport | 10005127 |
| 90941 | 912 iS2 Sport | 10005307 |
| 90936 | 912 iS2 Sport | 10005308 |
| 90938 | 912 iS2 Sport | 10005311 |
| 90935 | 912 iS3 Sport | 10005325 |
| 90952 | 912 iS3 Sport | 10005328 |
| 90954 | 912 iS3 Sport | 10005329 |
| 90957 | 912 iS3 Sport | 10005332 |
| 90958 | 912 iS3 Sport | 10005334 |
| 90960 | 912 iS3 Sport | 10005335 |
| 90968 | 912 iS2 Sport | 10005339 |
| 90964 | 912 iS3 Sport | 10005342 |
| 90962 | 912 iS3 Sport | 10005343 |
| 90966 | 912 iS3 Sport | 10005345 |
| 91094 | 912 iSc3 Sport | 10005541 |
| 90983 | 912 iSc2 Sport | 10005542 |
| 91106 | 912 iSc2 Sport | 10005544 |
| 91102 | 912 iS3 Sport | 10005563 |
| 91117 | 912 iS2 Sport | 10005570 |
| 91120 | 912 iS2 Sport | 10005575 |
| 91129 | 912 iS2 Sport | 10005580 |
| 91201 | 912 iS3 Sport | 10005683 |
| 91192 | 912 iS3 Sport | 10005694 |
| 91197 | 912 iS3 Sport | 10005695 |
| 91214 | 912 iS2 Sport | 10005718 |
| 91210 | 912 iS2 Sport | 10005721 |
| 91207 | 912 iS2 Sport | 10005722 |
| 91211 | 912 iS2 Sport | 10005724 |
| 91230 | 912 iS3 Sport | 10005738 |
| 91231 | 912 iS3 Sport | 10005739 |
| 91229 | 912 iS3 Sport | 10005740 |
| 91224 | 912 iS3 Sport | 10005741 |
| 91226 | 912 iS3 Sport | 10005743 |
| 91243 | 912 iS2 Sport | 10005762 |
| 91244 | 912 iS2 Sport | 10005763 |
| 91245 | 912 iS2 Sport | 10005764 |
| 91239 | 912 iS2 Sport | 10005765 |
| 91240 | 912 iS2 Sport | 10005768 |
| 91250 | 912 iS2 Sport | 10005769 |
| 91251 | 912 iS2 Sport | 10005772 |
| 91246 | 912 iS2 Sport | 10005784 |

| Gearbox S/N | Engine Type | Engine S/N |
|--------------------|--------------------|-------------------|
| 91236 | 912 iS3 Sport | 10005785 |
| 91238 | 912 iS3 Sport | 10005787 |
| 91255 | 912 iS3 Sport | 10005792 |
| 91256 | 912 iS3 Sport | 10005795 |
| 91259 | 912 iS3 Sport | 10005796 |
| 91258 | 912 iS3 Sport | 10005797 |
| 91260 | 912 iS3 Sport | 10005800 |
| 91265 | 912 iS3 Sport | 10005801 |
| 91263 | 912 iS3 Sport | 10005802 |
| 91266 | 912 iS3 Sport | 10005803 |
| 91267 | 912 iS3 Sport | 10005804 |
| 91269 | 912 iS3 Sport | 10005806 |
| 91268 | 912 iS3 Sport | 10005807 |
| 91270 | 912 iS3 Sport | 10005808 |
| 91279 | 912 iS3 Sport | 10005810 |
| 91331 | 912 iS2 Sport | 10005904 |
| 91329 | 912 iS2 Sport | 10005909 |
| 91338 | 912 iS2 Sport | 10005915 |
| 91348 | 912 iS2 Sport | 10005917 |
| 91346 | 912 iS2 Sport | 10005921 |
| 91351 | 912 iS3 Sport | 10005922 |
| 91340 | 912 iS3 Sport | 10005928 |
| 91416 | 912 iSc3 Sport | 10006008 |
| 91410 | 912 iSc3 Sport | 10006010 |
| 91413 | 912 iSc3 Sport | 10006011 |
| 91412 | 912 iSc3 Sport | 10006012 |
| 91411 | 912 iSc3 Sport | 10006014 |
| 91417 | 912 iSc3 Sport | 10006015 |
| 91415 | 912 iS3 Sport | 10006016 |
| 91420 | 912 iS3 Sport | 10006018 |
| 91421 | 912 iS3 Sport | 10006020 |
| 91424 | 912 iS3 Sport | 10006021 |
| 91441 | 912 iS3 Sport | 10006061 |
| 91444 | 912 iS3 Sport | 10006066 |
| 91446 | 912 iS3 Sport | 10006067 |
| 91448 | 912 iS3 Sport | 10006069 |
| 91449 | 912 iS3 Sport | 10006081 |
| 91450 | 912 iS3 Sport | 10006082 |
| 91452 | 912 iS3 Sport | 10006083 |
| 91454 | 912 iS3 Sport | 10006084 |
| 91457 | 912 iS3 Sport | 10006091 |
| 91459 | 912 iS3 Sport | 10006092 |
| 91462 | 912 iS3 Sport | 10006105 |
| 91464 | 912 iS3 Sport | 10006107 |
| 91466 | 912 iS3 Sport | 10006108 |
| 91470 | 912 iS3 Sport | 10006113 |
| 91471 | 912 iS3 Sport | 10006114 |
| 91475 | 912 iS3 Sport | 10006118 |
| 91477 | 912 iS3 Sport | 10006120 |
| 91481 | 912 iS3 Sport | 10006124 |
| 91493 | 912 iS3 Sport | 10006128 |

| Gearbox S/N | Engine Type | Engine S/N |
|--------------------|--------------------|-------------------|
| 91491 | 912 iS3 Sport | 10006129 |
| 91489 | 912 iS3 Sport | 10006131 |
| 91488 | 912 iS3 Sport | 10006132 |
| 91484 | 912 iS2 Sport | 10006133 |
| 91528 | 912 iS2 Sport | 10006207 |
| 91537 | 912 iS2 Sport | 10006226 |
| 91530 | 912 iS2 Sport | 10006229 |
| 91550 | 912 iS2 Sport | 10006238 |
| 91553 | 912 iS2 Sport | 10006239 |
| 91549 | 912 iS2 Sport | 10006240 |
| 91554 | 912 iS2 Sport | 10006242 |
| 91559 | 912 iS2 Sport | 10006243 |
| 91558 | 912 iS2 Sport | 10006245 |
| 91576 | 912 iS2 Sport | 10006247 |
| 91589 | 912 iSc3 Sport | 10006259 |
| 91585 | 912 iSc3 Sport | 10006295 |
| 91584 | 912 iSc3 Sport | 10006298 |
| 91586 | 912 iSc3 Sport | 10006299 |
| 91588 | 912 iSc3 Sport | 10006300 |
| 91593 | 912 iS3 Sport | 10006315 |
| 91597 | 912 iS3 Sport | 10006317 |
| 91602 | 912 iS3 Sport | 10006318 |
| 91604 | 912 iS3 Sport | 10006321 |
| 91605 | 912 iS3 Sport | 10006336 |
| 91612 | 912 iS3 Sport | 10006341 |
| 91611 | 912 iS3 Sport | 10006342 |
| 91614 | 912 iS3 Sport | 10006345 |
| 91634 | 912 iS3 Sport | 10006361 |
| 91627 | 912 iS3 Sport | 10006362 |
| 91633 | 912 iS3 Sport | 10006363 |
| 91632 | 912 iS3 Sport | 10006365 |
| 91630 | 912 iS3 Sport | 10006367 |
| 91686 | 912 iS3 Sport | 10006428 |
| 91688 | 912 iS3 Sport | 10006429 |
| 91683 | 912 iS2 Sport | 10006434 |
| 91691 | 912 iS3 Sport | 10006437 |
| 91690 | 912 iS3 Sport | 10006438 |
| 91693 | 912 iS3 Sport | 10006439 |
| 91692 | 912 iS3 Sport | 10006442 |
| 91695 | 912 iS3 Sport | 10006446 |
| 91702 | 912 iS3 Sport | 10006448 |
| 91704 | 912 iS3 Sport | 10006449 |
| 91706 | 912 iS3 Sport | 10006450 |
| 91697 | 912 iS3 Sport | 10006451 |
| 91711 | 912 iS3 Sport | 10006457 |
| 91744 | 912 iSc3 Sport | 10006484 |
| 91746 | 912 iSc3 Sport | 10006485 |
| 91743 | 912 iSc3 Sport | 10006488 |
| 91749 | 912 iSc3 Sport | 10006489 |
| 91759 | 912 iS3 Sport | 10006511 |
| 91768 | 912 iS3 Sport | 10006512 |

| Gearbox S/N | Engine Type | Engine S/N |
|--------------------|--------------------|-------------------|
| 91769 | 912 iS3 Sport | 10006513 |
| 91770 | 912 iS3 Sport | 10006514 |
| 91772 | 912 iS3 Sport | 10006516 |
| 91773 | 912 iS3 Sport | 10006517 |
| 91774 | 912 iS3 Sport | 10006518 |
| 91777 | 912 iS3 Sport | 10006521 |
| 91779 | 912 iS3 Sport | 10006523 |
| 91780 | 912 iS3 Sport | 10006524 |
| 91765 | 912 iS3 Sport | 10006525 |
| 91764 | 912 iS3 Sport | 10006527 |
| 91762 | 912 iS3 Sport | 10006529 |
| 91760 | 912 iS3 Sport | 10006530 |
| 91799 | 912 iSc3 Sport | 10006567 |
| 91803 | 912 iSc3 Sport | 10006568 |
| 91804 | 912 iSc3 Sport | 10006569 |
| 91796 | 912 iSc3 Sport | 10006572 |
| 91828 | 912 iS3 Sport | 10006617 |
| 91827 | 912 iS3 Sport | 10006618 |
| 91821 | 912 iS3 Sport | 10006623 |
| 91820 | 912 iS3 Sport | 10006624 |
| 91833 | 912 iS3 Sport | 10006626 |
| 91836 | 912 iS3 Sport | 10006629 |
| 91839 | 912 iS3 Sport | 10006630 |
| 91845 | 912 iS3 Sport | 10006637 |
| 91848 | 912 iS3 Sport | 10006638 |
| 91850 | 912 iS3 Sport | 10006644 |
| 91840 | 912 iS3 Sport | 10006645 |
| 91853 | 912 iS3 Sport | 10006646 |
| 91855 | 912 iS3 Sport | 10006647 |
| 91854 | 912 iS3 Sport | 10006648 |
| 91856 | 912 iS3 Sport | 10006649 |
| 91885 | 912 iS2 Sport | 10006712 |
| 91900 | 912 iS2 Sport | 10006721 |
| 91901 | 912 iS2 Sport | 10006723 |
| 91911 | 912 iS2 Sport | 10006725 |
| 91910 | 912 iS2 Sport | 10006726 |
| 91915 | 912 iS3 Sport | 10006751 |
| 91919 | 912 iS3 Sport | 10006753 |
| 91920 | 912 iS3 Sport | 10006756 |
| 91925 | 912 iS3 Sport | 10006760 |
| 91923 | 912 iS3 Sport | 10006761 |
| 91926 | 912 iS3 Sport | 10006762 |
| 91929 | 912 iS3 Sport | 10006763 |
| 91948 | 912 iS2 Sport | 10006797 |
| 91950 | 912 iS2 Sport | 10006799 |
| 91952 | 912 iS2 Sport | 10006804 |
| 91993 | 912 iS2 Sport | 10006884 |
| 91996 | 912 iS2 Sport | 10006888 |
| 91994 | 912 iS2 Sport | 10006889 |
| 92000 | 912 iS2 Sport | 10006892 |
| 92005 | 912 iS2 Sport | 10006898 |

| Gearbox S/N | Engine Type | Engine S/N |
|--------------------|--------------------|-------------------|
| 92006 | 912 iS2 Sport | 10006899 |
| 92008 | 912 iS2 Sport | 10006901 |
| 92012 | 912 iS2 Sport | 10006906 |
| 92014 | 912 iS2 Sport | 10006907 |
| 92017 | 912 iS2 Sport | 10006910 |
| 92016 | 912 iS2 Sport | 10006912 |
| 92095 | 912 iS3 Sport | 10007023 |
| 92097 | 912 iS3 Sport | 10007024 |
| 92158 | 912 iS3 Sport | 10007103 |
| 92162 | 912 iS3 Sport | 10007107 |
| 92167 | 912 iS3 Sport | 10007110 |
| 92168 | 912 iS3 Sport | 10007111 |
| 92172 | 912 iS3 Sport | 10007119 |
| 92183 | 912 iS3 Sport | 10007126 |
| 92182 | 912 iS3 Sport | 10007127 |
| 92229 | 912 iSc3 Sport | 10007218 |
| 92230 | 912 iSc3 Sport | 10007219 |
| 92233 | 912 iS2 Sport | 10007222 |
| 92237 | 912 iS2 Sport | 10007224 |
| 92236 | 912 iS2 Sport | 10007227 |
| 92246 | 912 iS3 Sport | 10007230 |
| 92243 | 912 iS2 Sport | 10007232 |
| 92242 | 912 iS2 Sport | 10007235 |
| 92251 | 912 iS2 Sport | 10007236 |
| 92249 | 912 iS2 Sport | 10007237 |
| 92252 | 912 iS2 Sport | 10007238 |
| 92250 | 912 iS2 Sport | 10007241 |
| 92274 | 912 iSc3 Sport | 10007280 |
| 92276 | 912 iSc3 Sport | 10007281 |
| 92277 | 912 iSc3 Sport | 10007283 |
| 92291 | 912 iS3 Sport | 10007309 |
| 92296 | 912 iS3 Sport | 10007312 |
| 92294 | 912 iS3 Sport | 10007313 |
| 92298 | 912 iS3 Sport | 10007315 |
| 92300 | 912 iS3 Sport | 10007318 |
| 92302 | 912 iS3 Sport | 10007319 |
| 92303 | 912 iS3 Sport | 10007320 |
| 92305 | 912 iS3 Sport | 10007322 |
| 92306 | 912 iS3 Sport | 10007323 |
| 92307 | 912 iS3 Sport | 10007324 |
| 92308 | 912 iS3 Sport | 10007325 |
| 92312 | 912 iS3 Sport | 10007329 |
| 92327 | 912 iS3 Sport | 10007330 |
| 92314 | 912 iS3 Sport | 10007331 |
| 92320 | 912 iS3 Sport | 10007338 |
| 92321 | 912 iS3 Sport | 10007340 |
| 92322 | 912 iS3 Sport | 10007341 |
| 92325 | 912 iS3 Sport | 10007344 |
| 92465 | 912 iSc3 Sport | 10007479 |
| 92466 | 912 iSc3 Sport | 10007480 |
| 92513 | 912 iS2 Sport | 10007521 |

| Gearbox S/N | Engine Type | Engine S/N |
|--------------------|--------------------|-------------------|
| 92512 | 912 iS2 Sport | 10007522 |
| 92518 | 912 iS2 Sport | 10007524 |
| 92519 | 912 iS2 Sport | 10007525 |
| 92524 | 912 iS3 Sport | 10007530 |
| 92610 | 912 iS3 Sport | 10007631 |
| 92612 | 912 iS3 Sport | 10007632 |
| 92614 | 912 iS3 Sport | 10007633 |
| 92615 | 912 iS2 Sport | 10007636 |
| 92618 | 912 iS2 Sport | 10007638 |
| 92606 | 912 iS2 Sport | 10007639 |
| 92775 | 912 iS2 Sport | 10007840 |
| 92781 | 912 iS2 Sport | 10007847 |
| 92785 | 912 iS2 Sport | 10007861 |
| 92788 | 912 iS2 Sport | 10007864 |
| 92790 | 912 iS2 Sport | 10007865 |
| 92860 | 912 iS3 Sport | 10007973 |
| 92861 | 912 iS3 Sport | 10007974 |
| 92862 | 912 iS3 Sport | 10007976 |
| 92865 | 912 iS3 Sport | 10007978 |
| 92867 | 912 iS3 Sport | 10007979 |
| 92902 | 912 iS2 Sport | 10008034 |
| 92907 | 912 iS2 Sport | 10008050 |
| 92912 | 912 iS2 Sport | 10008051 |
| 92913 | 912 iS2 Sport | 10008053 |
| 92916 | 912 iS2 Sport | 10008054 |
| 92915 | 912 iS2 Sport | 10008056 |
| 92924 | 912 iS2 Sport | 10008075 |
| 92923 | 912 iS2 Sport | 10008076 |
| 92932 | 912 iS3 Sport | 10008083 |
| 92931 | 912 iS3 Sport | 10008086 |
| 92938 | 912 iS3 Sport | 10008089 |
| 92939 | 912 iS3 Sport | 10008091 |
| 92936 | 912 iS3 Sport | 10008092 |
| 92945 | 912 iS3 Sport | 10008100 |
| 92947 | 912 iS3 Sport | 10008101 |
| 92960 | 912 iS3 Sport | 10008125 |
| 92964 | 912 iS3 Sport | 10008126 |
| 92969 | 912 iS3 Sport | 10008141 |
| 92970 | 912 iS3 Sport | 10008142 |
| 92972 | 912 iS3 Sport | 10008144 |
| 92974 | 912 iS3 Sport | 10008146 |
| 92978 | 912 iS3 Sport | 10008159 |
| 92981 | 912 iS3 Sport | 10008162 |
| 92980 | 912 iS3 Sport | 10008163 |
| 92982 | 912 iS3 Sport | 10008164 |
| 92983 | 912 iS3 Sport | 10008165 |
| 92988 | 912 iS3 Sport | 10008169 |
| 93000 | 912 iS3 Sport | 10008191 |
| 93012 | 912 iS3 Sport | 10008204 |
| 93010 | 912 iS3 Sport | 10008205 |
| 93011 | 912 iS3 Sport | 10008207 |

| Gearbox S/N | Engine Type | Engine S/N |
|--------------------|--------------------|-------------------|
| 93008 | 912 iS3 Sport | 10008208 |
| 93015 | 912 iS3 Sport | 10008213 |
| 93014 | 912 iS3 Sport | 10008214 |
| 93055 | 912 iS3 Sport | 10008303 |
| 93052 | 912 iS3 Sport | 10008304 |
| 93056 | 912 iS3 Sport | 10008305 |
| 93049 | 912 iS3 Sport | 10008308 |
| 93060 | 912 iS3 Sport | 10008319 |
| 93063 | 912 iS3 Sport | 10008320 |
| 93061 | 912 iS3 Sport | 10008321 |
| 93064 | 912 iS3 Sport | 10008323 |
| 93068 | 912 iS3 Sport | 10008325 |
| 93065 | 912 iS3 Sport | 10008326 |
| 93069 | 912 iS3 Sport | 10008331 |
| 93172 | 912 iS3 Sport | 10008332 |
| 92872 | 912 iS3 Sport | 10008333 |
| 93095 | 912 iS2 Sport | 10008374 |
| 93098 | 912 iS2 Sport | 10008377 |
| 93099 | 912 iS2 Sport | 10008389 |
| 93101 | 912 iS2 Sport | 10008390 |
| 93105 | 912 iS2 Sport | 10008395 |
| 93107 | 912 iS2 Sport | 10008397 |
| 93109 | 912 iS2 Sport | 10008398 |
| 93110 | 912 iS2 Sport | 10008399 |
| 93112 | 912 iS2 Sport | 10008400 |
| 93113 | 912 iS2 Sport | 10008412 |
| 93116 | 912 iS2 Sport | 10008414 |
| 93115 | 912 iS2 Sport | 10008415 |
| 93122 | 912 iS2 Sport | 10008416 |
| 93123 | 912 iS2 Sport | 10008421 |
| 93121 | 912 iS2 Sport | 10008422 |
| 93124 | 912 iS2 Sport | 10008424 |
| 93120 | 912 iS2 Sport | 10008431 |
| 93130 | 912 iS2 Sport | 10008432 |
| 93133 | 912 iS2 Sport | 10008433 |
| 93132 | 912 iS2 Sport | 10008434 |
| 93134 | 912 iS2 Sport | 10008437 |
| 92779 | 912 iS2 Sport | 10008439 |
| 93139 | 912 iS2 Sport | 10008440 |
| 93140 | 912 iS2 Sport | 10008443 |
| 93161 | 912 iS3 Sport | 10008483 |
| 93163 | 912 iS3 Sport | 10008485 |
| 93164 | 912 iS3 Sport | 10008486 |
| 93165 | 912 iS3 Sport | 10008487 |
| 93166 | 912 iS3 Sport | 10008490 |
| 93171 | 912 iS3 Sport | 10008502 |
| 93272 | 912 iS3 Sport | 10008503 |
| 93248 | 912 iS3 Sport | 10008504 |
| 93247 | 912 iS3 Sport | 10008505 |
| 93254 | 912 iS3 Sport | 10008506 |
| 93174 | 912 iS3 Sport | 10008507 |

| Gearbox S/N | Engine Type | Engine S/N |
|--------------------|--------------------|-------------------|
| 93178 | 912 iS3 Sport | 10008510 |
| 93180 | 912 iS3 Sport | 10008511 |
| 93181 | 912 iS3 Sport | 10008513 |
| 93183 | 912 iS3 Sport | 10008526 |
| 93192 | 912 iS3 Sport | 10008530 |
| 93194 | 912 iS3 Sport | 10008531 |
| 93197 | 912 iS3 Sport | 10008532 |
| 93206 | 912 iS3 Sport | 10008536 |
| 93185 | 912 iS3 Sport | 10008542 |
| 93189 | 912 iS3 Sport | 10008543 |
| 93188 | 912 iS3 Sport | 10008544 |
| 93208 | 912 iS3 Sport | 10008552 |
| 93236 | 912 iS3 Sport | 10008622 |
| 93246 | 912 iS3 Sport | 10008635 |
| 93249 | 912 iS3 Sport | 10008636 |
| 93071 | 912 iS3 Sport | 10008645 |
| 93253 | 912 iS3 Sport | 10008646 |
| 93602 | 912 iS3 Sport | 10008651 |
| 93198 | 912 iS3 Sport | 10008655 |
| 93173 | 912 iS3 Sport | 10008658 |
| 93274 | 912 iS3 Sport | 10008661 |
| 93273 | 912 iS3 Sport | 10008665 |
| 93371 | 912 iS3 Sport | 10008803 |
| 93368 | 912 iS3 Sport | 10008804 |
| 93366 | 912 iS3 Sport | 10008808 |
| 93372 | 912 iS3 Sport | 10008819 |
| 93395 | 912 iS3 Sport | 10008821 |
| 93468 | 912 iS3 Sport | 10008924 |
| 93467 | 912 iS3 Sport | 10008925 |
| 93487 | 912 iS3 Sport | 10008942 |
| 93485 | 912 iS3 Sport | 10008943 |
| 93486 | 912 iS3 Sport | 10008944 |
| 93503 | 912 iS3 Sport | 10008957 |
| 93504 | 912 iS3 Sport | 10008959 |
| 93506 | 912 iS3 Sport | 10008960 |
| 93522 | 912 iS3 Sport | 10008977 |
| 93520 | 912 iS3 Sport | 10008978 |
| 93543 | 912 iS3 Sport | 10008991 |
| 93716 | 912 iSc3 Sport | 10009185 |
| 93752 | 912 iS3 Sport | 10009202 |
| 93736 | 912 iS3 Sport | 10009217 |
| 93735 | 912 iS3 Sport | 10009219 |
| 93734 | 912 iS3 Sport | 10009220 |
| 93858 | 912 iS2 Sport | 10009287 |
| 93856 | 912 iS2 Sport | 10009288 |
| 93829 | 912 iS3 Sport | 10009289 |
| 93842 | 912 iS3 Sport | 10009293 |
| 93859 | 912 iS2 Sport | 10009295 |
| 93855 | 912 iS2 Sport | 10009296 |
| 93843 | 912 iSc3 Sport | 10009320 |
| 93852 | 912 iSc3 Sport | 10009327 |

| Gearbox S/N | Engine Type | Engine S/N |
|--------------------|--------------------|-------------------|
| 93849 | 912 iSc3 Sport | 10009329 |
| 93863 | 912 iS2 Sport | 10009330 |
| 93864 | 912 iS2 Sport | 10009331 |
| 93865 | 912 iS3 Sport | 10009335 |
| 93874 | 912 iS3 Sport | 10009341 |
| 93871 | 912 iSc3 Sport | 10009342 |
| 93861 | 912 iSc3 Sport | 10009345 |
| 93876 | 912 iSc3 Sport | 10009348 |
| 93881 | 912 iSc3 Sport | 10009354 |
| 93901 | 912 iSc3 Sport | 10009360 |
| 93903 | 912 iSc3 Sport | 10009361 |
| 93897 | 912 iSc3 Sport | 10009362 |
| 94073 | 912 iS2 Sport | 10009787 |
| 94191 | 912 iSc3 Sport | 10010035 |
| 94198 | 912 iSc3 Sport | 10010046 |
| 94207 | 912 iSc3 Sport | 10010079 |
| 94226 | 912 iSc3 Sport | 10010107 |
| 94228 | 912 iSc3 Sport | 10010120 |
| 94229 | 912 iSc3 Sport | 10010121 |
| 94236 | 912 iS2 Sport | 10010126 |
| 94244 | 912 iS2 Sport | 10010129 |
| 94250 | 912 iS2 Sport | 10010149 |
| 94253 | 912 iS2 Sport | 10010150 |
| 94260 | 912 iS2 Sport | 10010167 |
| 94278 | 912 iS2 Sport | 10010186 |
| 94306 | 912 iS3 Sport | 10010216 |
| 94305 | 912 iS3 Sport | 10010220 |
| 94324 | 912 iS3 Sport | 10010232 |
| 94321 | 912 iS3 Sport | 10010234 |
| 94326 | 912 iS3 Sport | 10010235 |
| 94315 | 912 iS3 Sport | 10010243 |
| 94320 | 912 iS3 Sport | 10010256 |
| 94319 | 912 iS3 Sport | 10010258 |
| 94348 | 912 iS3 Sport | 10010266 |
| 94334 | 912 iS3 Sport | 10010281 |
| 94333 | 912 iS3 Sport | 10010282 |
| 94392 | 912 iSc3 Sport | 10010369 |
| 94391 | 912 iSc3 Sport | 10010370 |
| 94397 | 912 iSc3 Sport | 10010374 |
| 94399 | 912 iSc3 Sport | 10010375 |
| 94398 | 912 iSc3 Sport | 10010376 |
| 94403 | 912 iSc3 Sport | 10010392 |
| 94404 | 912 iSc3 Sport | 10010393 |
| 94414 | 912 iS2 Sport | 10010395 |
| 94405 | 912 iS2 Sport | 10010396 |
| 94496 | 912 iS2 Sport | 10010537 |
| 94492 | 912 iS2 Sport | 10010546 |
| 94495 | 912 iS2 Sport | 10010547 |
| 94493 | 912 iS2 Sport | 10010548 |
| 94501 | 912 iS2 Sport | 10010563 |
| 94509 | 912 iS2 Sport | 10010572 |

| Gearbox S/N | Engine Type | Engine S/N |
|--------------------|--------------------|-------------------|
| 94511 | 912 iS2 Sport | 10010578 |
| 94522 | 912 iS2 Sport | 10010586 |
| 94527 | 912 iS2 Sport | 10010602 |
| 94621 | 912 iS3 Sport | 10010738 |
| 94623 | 912 iS3 Sport | 10010746 |
| 94634 | 912 iS3 Sport | 10010756 |
| 94633 | 912 iS3 Sport | 10010759 |
| 94635 | 912 iS3 Sport | 10010760 |
| 94629 | 912 iS2 Sport | 10010763 |
| 94852 | 912 iS2 Sport | 10011134 |
| 95468 | 912 iSc2 Sport | 10011960 |
| 95466 | 912 iSc3 Sport | 10011962 |
| 95463 | 912 iSc3 Sport | 10011965 |
| 95667 | 912 iS3 Sport | 10012252 |
| 95672 | 912 iS3 Sport | 10012258 |
| 95671 | 912 iS3 Sport | 10012259 |
| 95678 | 912 iS2 Sport | 10012279 |
| 95693 | 912 iS2 Sport | 10012306 |
| 95704 | 912 iS2 Sport | 10012330 |
| 95942 | 912 iSc3 Sport | 10012642 |
| 95946 | 912 iSc3 Sport | 10012652 |
| 96124 | 912 iS3 Sport | 10012925 |
| 96121 | 912 iS3 Sport | 10012927 |
| 96410 | 912 iSc2 Sport | 10013364 |
| 96412 | 912 iSc2 Sport | 10013365 |
| 96449 | 912 iS3 Sport | 10013413 |
| 96562 | 912 iS2 Sport | 10013588 |
| 96631 | 912 iS2 Sport | 10013674 |
| 260428 | 912 iSc3 Sport | 10013798 |
| 260461 | 912 iS3 Sport | 10013819 |
| 260464 | 912 iS3 Sport | 10013827 |
| 260749 | 912 iS2 Sport | 10014095 |
| 260759 | 912 iS2 Sport | 10014108 |
| 260766 | 912 iS2 Sport | 10014116 |
| 260781 | 912 iS2 Sport | 10014129 |
| 260780 | 912 iS2 Sport | 10014130 |
| 260788 | 912 iSc3 Sport | 10014142 |
| 260791 | 912 iSc3 Sport | 10014144 |
| 260811 | 912 iS2 Sport | 10014151 |
| 260807 | 912 iS2 Sport | 10014152 |
| 260808 | 912 iS2 Sport | 10014153 |

| Gearbox S/N | Engine Type | Engine S/N |
|--------------------|--------------------|-------------------|
| 88236 | 914 UL2-01 | 10002078 |
| 88233 | 914 UL2-01 | 10002080 |
| 88232 | 914 UL2-01 | 10002081 |
| 88234 | 914 UL2-01 | 10002082 |
| 88235 | 914 UL2-01 | 10002083 |
| 88272 | 914 F2-01 | 10002138 |
| 88384 | 914 UL2-01 | 10002246 |
| 88386 | 914 UL2-01 | 10002248 |
| 88388 | 914 UL2-01 | 10002250 |
| 88393 | 914 UL2-01 | 10002255 |
| 88394 | 914 UL2-01 | 10002256 |
| 88397 | 914 UL2-01 | 10002259 |
| 88466 | 914 UL2-01 | 10002349 |
| 88704 | 914 UL2-01 | 10002632 |
| 88710 | 914 UL2-01 | 10002633 |
| 88817 | 914 UL2-01 | 10002745 |
| 88811 | 914 UL2-01 | 10002753 |
| 88863 | 914 UL2-01 | 10002863 |
| 89062 | 914 UL2-01 | 10002911 |
| 89632 | 914 UL2-01 | 10003669 |
| 90340 | 914 UL2-01 | 10004504 |
| 90662 | 914 UL2-01 | 10004925 |
| 90815 | 914 UL2-01 | 10005134 |
| 90818 | 914 UL2-01 | 10005136 |
| 90819 | 914 UL2-01 | 10005137 |
| 90822 | 914 UL2-01 | 10005140 |
| 90904 | 914 F2-01 | 10005251 |
| 90910 | 914 UL2-01 | 10005253 |
| 90908 | 914 UL2-01 | 10005254 |
| 90906 | 914 UL2-01 | 10005255 |
| 91320 | 914 UL2-01 | 10005933 |
| 91358 | 914 UL2-01 | 10005934 |
| 91719 | 914 UL2-01 | 10006465 |
| 91726 | 914 UL2-01 | 10006470 |
| 91727 | 914 UL2-01 | 10006471 |
| 91734 | 914 UL2-01 | 10006476 |
| 91735 | 914 UL2-01 | 10006479 |
| 91720 | 914 UL2-01 | 10006480 |
| 91792 | 914 UL2-01 | 10006554 |
| 91791 | 914 UL2-01 | 10006555 |
| 91904 | 914 UL2-01 | 10006734 |
| 91906 | 914 UL3-01 | 10006736 |
| 91908 | 914 UL3-01 | 10006737 |
| 91905 | 914 UL3-01 | 10006738 |
| 91907 | 914 UL3-01 | 10006739 |
| 92102 | 914 UL2-01 | 10007030 |
| 92103 | 914 UL2-01 | 10007032 |
| 92118 | 914 UL2-01 | 10007035 |
| 92113 | 914 UL2-01 | 10007036 |
| 92123 | 914 UL2-01 | 10007050 |
| 92124 | 914 UL2-01 | 10007051 |

| Gearbox S/N | Engine Type | Engine S/N |
|--------------------|--------------------|-------------------|
| 92127 | 914 UL2-01 | 10007054 |
| 92131 | 914 UL2-01 | 10007059 |
| 92132 | 914 UL2-01 | 10007060 |
| 92371 | 914 UL3-01 | 10007378 |
| 92373 | 914 UL3-01 | 10007379 |
| 92374 | 914 UL3-01 | 10007380 |
| 92376 | 914 UL3-01 | 10007382 |
| 92378 | 914 UL3-01 | 10007383 |
| 92377 | 914 UL3-01 | 10007384 |
| 92379 | 914 UL3-01 | 10007385 |
| 92380 | 914 UL3-01 | 10007386 |
| 92393 | 914 UL3-01 | 10007398 |
| 92395 | 914 UL3-01 | 10007399 |
| 92394 | 914 UL3-01 | 10007400 |
| 92396 | 914 UL3-01 | 10007401 |
| 92444 | 914 UL3-01 | 10007462 |
| 92445 | 914 UL3-01 | 10007463 |
| 92447 | 914 UL3-01 | 10007464 |
| 92449 | 914 UL3-01 | 10007466 |
| 92448 | 914 UL3-01 | 10007467 |
| 92450 | 914 UL3-01 | 10007468 |
| 92451 | 914 UL3-01 | 10007469 |
| 92453 | 914 UL3-01 | 10007470 |
| 92629 | 914 UL3-01 | 10007471 |
| 92475 | 914 UL3-01 | 10007472 |
| 92477 | 914 UL3-01 | 10007473 |
| 92476 | 914 UL3-01 | 10007474 |
| 92478 | 914 UL3-01 | 10007475 |
| 92454 | 914 UL3-01 | 10007477 |
| 92459 | 914 UL3-01 | 10007478 |
| 92461 | 914 UL3-01 | 10007484 |
| 92457 | 914 UL3-01 | 10007485 |
| 92456 | 914 UL3-01 | 10007486 |
| 92455 | 914 UL3-01 | 10007487 |
| 92487 | 914 UL3-01 | 10007488 |
| 92460 | 914 UL3-01 | 10007489 |
| 92488 | 914 UL3-01 | 10007490 |
| 92494 | 914 UL3-01 | 10007491 |
| 92495 | 914 UL3-01 | 10007492 |
| 92496 | 914 UL3-01 | 10007493 |
| 92497 | 914 UL3-01 | 10007494 |
| 92509 | 914 UL3-01 | 10007495 |
| 92538 | 914 UL2-01 | 10007553 |
| 92537 | 914 UL2-01 | 10007554 |
| 92540 | 914 UL2-01 | 10007557 |
| 92536 | 914 UL2-01 | 10007558 |
| 92508 | 914 UL3-01 | 10007559 |
| 92507 | 914 UL3-01 | 10007560 |
| 92505 | 914 UL3-01 | 10007561 |
| 92504 | 914 UL3-01 | 10007563 |
| 92506 | 914 UL3-01 | 10007579 |

| Gearbox S/N | Engine Type | Engine S/N |
|--------------------|--------------------|-------------------|
| 92502 | 914 UL3-01 | 10007580 |
| 92499 | 914 UL3-01 | 10007581 |
| 92503 | 914 UL3-01 | 10007582 |
| 92500 | 914 UL3-01 | 10007583 |
| 92556 | 914 UL3-01 | 10007584 |
| 92557 | 914 UL3-01 | 10007585 |
| 92559 | 914 UL3-01 | 10007586 |
| 92558 | 914 UL3-01 | 10007587 |
| 92498 | 914 UL3-01 | 10007588 |
| 92577 | 914 UL3-01 | 10007600 |
| 92578 | 914 UL3-01 | 10007601 |
| 92582 | 914 UL3-01 | 10007604 |
| 92583 | 914 UL3-01 | 10007605 |
| 92584 | 914 UL3-01 | 10007606 |
| 92581 | 914 UL3-01 | 10007607 |
| 92586 | 914 UL3-01 | 10007608 |
| 92587 | 914 UL3-01 | 10007609 |
| 92585 | 914 UL3-01 | 10007610 |
| 92674 | 914 F2-01 | 10007645 |
| 92676 | 914 F2-01 | 10007646 |
| 92679 | 914 F2-01 | 10007649 |
| 92684 | 914 F2-01 | 10007653 |
| 92626 | 914 UL2-01 | 10007670 |
| 92627 | 914 UL2-01 | 10007671 |
| 92633 | 914 UL2-01 | 10007674 |
| 92632 | 914 UL2-01 | 10007676 |
| 92713 | 914 UL3-01 | 10007779 |
| 92714 | 914 UL3-01 | 10007780 |
| 92711 | 914 UL3-01 | 10007781 |
| 92712 | 914 UL3-01 | 10007782 |
| 92710 | 914 UL3-01 | 10007783 |
| 92709 | 914 UL3-01 | 10007784 |
| 92708 | 914 UL3-01 | 10007786 |
| 92706 | 914 UL3-01 | 10007787 |
| 92733 | 914 UL3-01 | 10007788 |
| 92736 | 914 UL3-01 | 10007789 |
| 92739 | 914 UL3-01 | 10007800 |
| 92741 | 914 UL3-01 | 10007801 |
| 92740 | 914 UL3-01 | 10007802 |
| 92742 | 914 UL3-01 | 10007803 |
| 92744 | 914 UL3-01 | 10007804 |
| 92743 | 914 UL3-01 | 10007805 |
| 92747 | 914 UL3-01 | 10007806 |
| 92745 | 914 UL3-01 | 10007807 |
| 92746 | 914 UL3-01 | 10007808 |
| 92749 | 914 UL3-01 | 10007809 |
| 92748 | 914 UL3-01 | 10007810 |
| 92751 | 914 UL3-01 | 10007823 |
| 92768 | 914 UL3-01 | 10007824 |
| 92770 | 914 UL3-01 | 10007825 |
| 92766 | 914 UL3-01 | 10007826 |

| Gearbox S/N | Engine Type | Engine S/N |
|--------------------|--------------------|-------------------|
| 92769 | 914 UL3-01 | 10007827 |
| 92771 | 914 UL3-01 | 10007828 |
| 92806 | 914 UL3-01 | 10007899 |
| 92807 | 914 UL3-01 | 10007900 |
| 92811 | 914 UL3-01 | 10007903 |
| 92810 | 914 UL3-01 | 10007904 |
| 92813 | 914 UL3-01 | 10007905 |
| 92812 | 914 UL3-01 | 10007906 |
| 93279 | 914 F2-01 | 10008669 |
| 93296 | 914 F3-01 | 10008672 |
| 93295 | 914 F3-01 | 10008673 |
| 93288 | 914 F3-01 | 10008674 |
| 93287 | 914 F2-01 | 10008676 |
| 93357 | 914 UL3-01 | 10008795 |
| 93381 | 914 UL3-01 | 10008796 |
| 93359 | 914 UL3-01 | 10008798 |
| 93358 | 914 UL3-01 | 10008799 |
| 93362 | 914 UL3-01 | 10008800 |
| 93361 | 914 UL3-01 | 10008801 |
| 93375 | 914 UL3-01 | 10008810 |
| 93376 | 914 UL3-01 | 10008811 |
| 93374 | 914 UL3-01 | 10008812 |
| 93377 | 914 UL3-01 | 10008813 |
| 93380 | 914 UL3-01 | 10008815 |
| 93379 | 914 UL3-01 | 10008816 |
| 93382 | 914 UL3-01 | 10008817 |
| 93363 | 914 UL3-01 | 10008818 |
| 93383 | 914 UL3-01 | 10008833 |
| 93386 | 914 UL3-01 | 10008834 |
| 93387 | 914 UL3-01 | 10008842 |
| 93384 | 914 UL3-01 | 10008843 |
| 93388 | 914 UL3-01 | 10008844 |
| 93398 | 914 UL3-01 | 10008846 |
| 93400 | 914 UL3-01 | 10008847 |
| 93402 | 914 UL3-01 | 10008850 |
| 93403 | 914 UL3-01 | 10008851 |
| 93404 | 914 UL3-01 | 10008852 |
| 93411 | 914 UL3-01 | 10008859 |
| 93412 | 914 UL3-01 | 10008860 |
| 93414 | 914 UL3-01 | 10008862 |
| 93416 | 914 UL3-01 | 10008863 |
| 93415 | 914 UL3-01 | 10008864 |
| 93417 | 914 UL3-01 | 10008865 |
| 93418 | 914 UL3-01 | 10008866 |
| 93421 | 914 UL3-01 | 10008869 |
| 93424 | 914 UL3-01 | 10008877 |
| 93423 | 914 UL3-01 | 10008878 |
| 93425 | 914 UL3-01 | 10008879 |
| 93422 | 914 UL3-01 | 10008880 |
| 93435 | 914 UL3-01 | 10008881 |
| 93438 | 914 UL3-01 | 10008882 |

| Gearbox S/N | Engine Type | Engine S/N |
|--------------------|--------------------|-------------------|
| 93437 | 914 UL3-01 | 10008883 |
| 93439 | 914 UL3-01 | 10008884 |
| 93436 | 914 UL3-01 | 10008885 |
| 93441 | 914 UL3-01 | 10008886 |
| 93440 | 914 UL3-01 | 10008887 |
| 93451 | 914 UL3-01 | 10008896 |
| 93449 | 914 UL3-01 | 10008897 |
| 93452 | 914 UL3-01 | 10008898 |
| 93455 | 914 UL3-01 | 10008899 |
| 93453 | 914 UL3-01 | 10008900 |
| 93456 | 914 UL3-01 | 10008901 |
| 93457 | 914 UL3-01 | 10008904 |
| 93470 | 914 UL3-01 | 10008927 |
| 93474 | 914 UL3-01 | 10008929 |
| 93472 | 914 UL3-01 | 10008930 |
| 93476 | 914 UL3-01 | 10008931 |
| 93473 | 914 UL3-01 | 10008932 |
| 93475 | 914 UL3-01 | 10008933 |
| 93481 | 914 UL3-01 | 10008934 |
| 93479 | 914 UL3-01 | 10008935 |
| 93478 | 914 UL3-01 | 10008936 |
| 93477 | 914 UL3-01 | 10008937 |
| 93480 | 914 UL3-01 | 10008938 |
| 93489 | 914 UL3-01 | 10008946 |
| 93493 | 914 UL3-01 | 10008947 |
| 93492 | 914 UL3-01 | 10008949 |
| 93495 | 914 UL3-01 | 10008950 |
| 93494 | 914 UL3-01 | 10008951 |
| 93491 | 914 UL3-01 | 10008952 |
| 93496 | 914 UL3-01 | 10008953 |
| 93500 | 914 UL3-01 | 10008954 |
| 93498 | 914 UL3-01 | 10008955 |
| 93497 | 914 UL3-01 | 10008963 |
| 93509 | 914 UL3-01 | 10008965 |
| 93512 | 914 UL3-01 | 10008967 |
| 93510 | 914 UL3-01 | 10008968 |
| 93511 | 914 UL3-01 | 10008969 |
| 93515 | 914 UL3-01 | 10008970 |
| 93514 | 914 UL3-01 | 10008971 |
| 93513 | 914 UL3-01 | 10008972 |
| 93516 | 914 UL3-01 | 10008973 |
| 93525 | 914 UL3-01 | 10008981 |
| 93524 | 914 UL3-01 | 10008982 |
| 93527 | 914 UL3-01 | 10008983 |
| 93528 | 914 UL3-01 | 10008984 |
| 93530 | 914 UL3-01 | 10008985 |
| 93526 | 914 UL3-01 | 10008986 |
| 93529 | 914 UL3-01 | 10008987 |
| 93531 | 914 UL3-01 | 10008988 |
| 93535 | 914 UL3-01 | 10008989 |
| 93537 | 914 UL3-01 | 10008997 |

| Gearbox S/N | Engine Type | Engine S/N |
|--------------------|--------------------|-------------------|
| 93536 | 914 UL3-01 | 10008998 |
| 93541 | 914 UL3-01 | 10008999 |
| 93540 | 914 UL3-01 | 10009000 |
| 93544 | 914 UL3-01 | 10009001 |
| 93549 | 914 UL3-01 | 10009002 |
| 93547 | 914 UL3-01 | 10009003 |
| 93550 | 914 UL3-01 | 10009004 |
| 93545 | 914 UL3-01 | 10009005 |
| 93548 | 914 UL3-01 | 10009006 |
| 93546 | 914 UL3-01 | 10009007 |
| 93558 | 914 UL3-01 | 10009013 |
| 93556 | 914 UL3-01 | 10009014 |
| 93560 | 914 UL3-01 | 10009015 |
| 93557 | 914 UL3-01 | 10009016 |
| 93559 | 914 UL3-01 | 10009017 |
| 93561 | 914 UL3-01 | 10009018 |
| 93563 | 914 UL3-01 | 10009019 |
| 93564 | 914 UL3-01 | 10009021 |
| 93565 | 914 UL3-01 | 10009022 |
| 93566 | 914 UL3-01 | 10009023 |
| 93567 | 914 UL3-01 | 10009024 |
| 93568 | 914 UL3-01 | 10009031 |
| 93579 | 914 UL3-01 | 10009032 |
| 93598 | 914 UL3-01 | 10009081 |
| 93609 | 914 UL3-01 | 10009083 |
| 93607 | 914 UL3-01 | 10009084 |
| 93610 | 914 UL3-01 | 10009085 |
| 93617 | 914 UL3-01 | 10009086 |
| 93608 | 914 UL3-01 | 10009087 |
| 93612 | 914 UL3-01 | 10009088 |
| 93606 | 914 UL3-01 | 10009089 |
| 93605 | 914 UL3-01 | 10009090 |
| 93613 | 914 UL3-01 | 10009091 |
| 93611 | 914 UL3-01 | 10009092 |
| 93622 | 914 UL3-01 | 10009099 |
| 93625 | 914 UL3-01 | 10009100 |
| 93623 | 914 UL3-01 | 10009101 |
| 93624 | 914 UL3-01 | 10009102 |
| 93626 | 914 UL3-01 | 10009103 |
| 93629 | 914 UL3-01 | 10009105 |
| 93632 | 914 UL3-01 | 10009106 |
| 93631 | 914 UL3-01 | 10009107 |
| 93633 | 914 UL3-01 | 10009108 |
| 93634 | 914 UL3-01 | 10009109 |
| 93635 | 914 UL3-01 | 10009110 |
| 93645 | 914 UL3-01 | 10009117 |
| 93646 | 914 UL3-01 | 10009118 |
| 93648 | 914 UL3-01 | 10009119 |
| 93649 | 914 UL3-01 | 10009120 |
| 93647 | 914 UL3-01 | 10009121 |
| 93652 | 914 UL3-01 | 10009123 |

| Gearbox S/N | Engine Type | Engine S/N |
|--------------------|--------------------|-------------------|
| 93651 | 914 UL3-01 | 10009124 |
| 93653 | 914 UL3-01 | 10009125 |
| 93655 | 914 UL3-01 | 10009126 |
| 93656 | 914 UL3-01 | 10009128 |
| 93667 | 914 UL3-01 | 10009135 |
| 93669 | 914 UL3-01 | 10009136 |
| 93671 | 914 UL3-01 | 10009137 |
| 93668 | 914 UL3-01 | 10009138 |
| 93670 | 914 UL3-01 | 10009140 |
| 93675 | 914 UL3-01 | 10009141 |
| 93673 | 914 UL3-01 | 10009143 |
| 93677 | 914 UL3-01 | 10009144 |
| 93694 | 914 UL3-01 | 10009153 |
| 93695 | 914 UL3-01 | 10009154 |
| 93693 | 914 UL3-01 | 10009155 |
| 93692 | 914 UL3-01 | 10009156 |
| 93691 | 914 UL3-01 | 10009157 |
| 93690 | 914 UL3-01 | 10009158 |
| 93687 | 914 UL3-01 | 10009159 |
| 93689 | 914 UL3-01 | 10009160 |
| 93686 | 914 UL3-01 | 10009161 |
| 93706 | 914 UL3-01 | 10009162 |
| 93703 | 914 UL3-01 | 10009170 |
| 93688 | 914 UL3-01 | 10009171 |
| 93701 | 914 UL3-01 | 10009173 |
| 93702 | 914 UL3-01 | 10009174 |
| 93711 | 914 UL3-01 | 10009175 |
| 93709 | 914 UL3-01 | 10009176 |
| 93712 | 914 UL3-01 | 10009177 |
| 93707 | 914 UL3-01 | 10009179 |
| 93710 | 914 UL3-01 | 10009180 |
| 93726 | 914 UL3-01 | 10009187 |
| 93728 | 914 UL3-01 | 10009188 |
| 93721 | 914 UL3-01 | 10009189 |
| 93722 | 914 UL3-01 | 10009190 |
| 93720 | 914 UL3-01 | 10009191 |
| 93723 | 914 UL3-01 | 10009192 |
| 93730 | 914 UL3-01 | 10009193 |
| 93725 | 914 UL3-01 | 10009195 |
| 93727 | 914 UL3-01 | 10009196 |
| 93719 | 914 UL3-01 | 10009198 |
| 93745 | 914 UL3-01 | 10009205 |
| 93743 | 914 UL3-01 | 10009206 |
| 93747 | 914 UL3-01 | 10009207 |
| 93748 | 914 UL3-01 | 10009208 |
| 93746 | 914 UL3-01 | 10009209 |
| 93742 | 914 UL3-01 | 10009212 |
| 93741 | 914 UL3-01 | 10009215 |
| 93737 | 914 UL3-01 | 10009216 |
| 93758 | 914 UL3-01 | 10009226 |
| 93761 | 914 UL3-01 | 10009227 |

| Gearbox S/N | Engine Type | Engine S/N |
|--------------------|--------------------|-------------------|
| 93763 | 914 UL3-01 | 10009228 |
| 93762 | 914 UL3-01 | 10009229 |
| 93760 | 914 UL3-01 | 10009230 |
| 93769 | 914 UL3-01 | 10009231 |
| 93764 | 914 UL3-01 | 10009232 |
| 93767 | 914 UL3-01 | 10009233 |
| 93765 | 914 UL3-01 | 10009234 |
| 93766 | 914 UL3-01 | 10009235 |
| 93771 | 914 UL3-01 | 10009237 |
| 93770 | 914 UL3-01 | 10009238 |
| 93773 | 914 UL3-01 | 10009239 |
| 93774 | 914 UL3-01 | 10009240 |
| 93775 | 914 UL3-01 | 10009241 |
| 93772 | 914 UL3-01 | 10009242 |
| 93776 | 914 UL3-01 | 10009244 |
| 93778 | 914 UL3-01 | 10009245 |
| 93784 | 914 UL3-01 | 10009249 |
| 93783 | 914 UL3-01 | 10009251 |
| 93785 | 914 UL3-01 | 10009254 |
| 93823 | 914 UL3-01 | 10009255 |
| 93821 | 914 UL3-01 | 10009256 |
| 93825 | 914 UL3-01 | 10009257 |
| 93948 | 914 UL3-01 | 10009259 |
| 93826 | 914 UL3-01 | 10009261 |
| 93794 | 914 UL3-01 | 10009262 |
| 93798 | 914 UL3-01 | 10009264 |
| 93797 | 914 UL3-01 | 10009265 |
| 93799 | 914 UL3-01 | 10009266 |
| 93796 | 914 UL3-01 | 10009267 |
| 93800 | 914 UL3-01 | 10009268 |
| 93805 | 914 UL3-01 | 10009269 |
| 93803 | 914 UL3-01 | 10009270 |
| 93801 | 914 UL3-01 | 10009273 |
| 93833 | 914 UL3-01 | 10009274 |
| 93834 | 914 UL3-01 | 10009275 |
| 93836 | 914 UL3-01 | 10009276 |
| 93837 | 914 UL3-01 | 10009278 |
| 93835 | 914 UL3-01 | 10009279 |
| 94100 | 914 UL3-01 | 10009843 |
| 94099 | 914 UL3-01 | 10009844 |
| 94101 | 914 UL3-01 | 10009845 |
| 94103 | 914 UL3-01 | 10009847 |
| 94104 | 914 UL3-01 | 10009848 |
| 94107 | 914 UL3-01 | 10009849 |
| 94106 | 914 UL3-01 | 10009850 |
| 94105 | 914 UL3-01 | 10009852 |
| 94120 | 914 F2-01 | 10009921 |
| 94205 | 914 F2-01 | 10010067 |
| 94275 | 914 F2-01 | 10010177 |
| 94277 | 914 F2-01 | 10010178 |
| 94276 | 914 F2-01 | 10010179 |

| Gearbox S/N | Engine Type | Engine S/N |
|--------------------|--------------------|-------------------|
| 94274 | 914 F2-01 | 10010180 |
| 94271 | 914 UL2-01 | 10010181 |
| 94591 | 914 F2-01 | 10010702 |
| 94589 | 914 F2-01 | 10010703 |
| 94726 | 914 F2-01 | 10010930 |
| 94730 | 914 F2-01 | 10010934 |
| 94736 | 914 F2-01 | 10010937 |
| 94725 | 914 F2-01 | 10010943 |
| 94765 | 914 F3-01 | 10010981 |
| 94764 | 914 F3-01 | 10010982 |
| 94799 | 914 F2-01 | 10011053 |
| 94805 | 914 F2-01 | 10011056 |
| 94813 | 914 F2-01 | 10011069 |
| 95027 | 914 F2-01 | 10011423 |
| 95148 | 914 UL2-01 | 10011612 |
| 95186 | 914 F3-01 | 10011677 |
| 95189 | 914 F3-01 | 10011679 |
| 95180 | 914 F3-01 | 10011680 |
| 95193 | 914 F3-01 | 10011682 |
| 95196 | 914 F3-01 | 10011683 |
| 95217 | 914 F2-01 | 10011710 |
| 95242 | 914 F2-01 | 10011729 |
| 95266 | 914 UL2-01 | 10011759 |
| 95268 | 914 UL2-01 | 10011762 |
| 95267 | 914 UL2-01 | 10011763 |
| 95271 | 914 UL2-01 | 10011764 |
| 95286 | 914 UL2-01 | 10011777 |
| 95283 | 914 UL2-01 | 10011778 |
| 95285 | 914 UL2-01 | 10011779 |
| 95292 | 914 UL2-01 | 10011780 |
| 95284 | 914 UL2-01 | 10011781 |
| 95290 | 914 UL2-01 | 10011782 |
| 95298 | 914 UL2-01 | 10011785 |
| 95297 | 914 UL2-01 | 10011786 |
| 95301 | 914 UL2-01 | 10011795 |
| 95306 | 914 UL2-01 | 10011798 |
| 95303 | 914 UL2-01 | 10011799 |
| 95315 | 914 F2-01 | 10011801 |
| 95332 | 914 F2-01 | 10011816 |
| 95331 | 914 F2-01 | 10011817 |
| 95362 | 914 F2-01 | 10011851 |
| 95374 | 914 F2-01 | 10011855 |
| 95383 | 914 F2-01 | 10011869 |
| 95381 | 914 F2-01 | 10011870 |
| 95380 | 914 F2-01 | 10011871 |
| 95402 | 914 F2-01 | 10011888 |
| 95418 | 914 F2-01 | 10011901 |
| 95429 | 914 F2-01 | 10011907 |
| 95436 | 914 F2-01 | 10011932 |
| 95437 | 914 F2-01 | 10011933 |
| 95448 | 914 F2-01 | 10011937 |

| Gearbox S/N | Engine Type | Engine S/N |
|--------------------|--------------------|-------------------|
| 95447 | 914 F2-01 | 10011938 |
| 95459 | 914 F2-01 | 10011952 |
| 95469 | 914 F2-01 | 10011954 |
| 95457 | 914 F2-01 | 10011955 |
| 95473 | 914 UL2-01 | 10011967 |
| 95474 | 914 UL2-01 | 10011969 |
| 95555 | 914 F2-01 | 10012134 |
| 95571 | 914 F2-01 | 10012147 |
| 95574 | 914 F2-01 | 10012148 |
| 95575 | 914 F2-01 | 10012150 |
| 95583 | 914 F2-01 | 10012152 |
| 95585 | 914 F2-01 | 10012163 |
| 95595 | 914 F2-01 | 10012165 |
| 95598 | 914 F2-01 | 10012169 |
| 95601 | 914 F2-01 | 10012182 |
| 95605 | 914 F2-01 | 10012185 |
| 95609 | 914 F2-01 | 10012187 |
| 95746 | 914 F2-01 | 10012392 |
| 95754 | 914 F2-01 | 10012401 |
| 95765 | 914 F2-01 | 10012404 |
| 95769 | 914 F2-01 | 10012414 |
| 95926 | 914 UL3-01 | 10012627 |
| 95927 | 914 UL3-01 | 10012628 |
| 95929 | 914 UL3-01 | 10012629 |
| 95925 | 914 UL3-01 | 10012630 |
| 95928 | 914 UL3-01 | 10012631 |
| 95939 | 914 UL3-01 | 10012638 |
| 95936 | 914 UL3-01 | 10012639 |
| 95938 | 914 UL3-01 | 10012640 |
| 95937 | 914 UL3-01 | 10012641 |

ALERT SERVICE BULLETIN

4.2) Gearbox supplied as spare parts

See attached S/N list of affected (suspect) propeller gearboxes.

NOTE: To search for serial numbers, please use the search function (Ctrl+F) in the PDF.

NOTE: This list includes both certified engine types and ASTM-compliant engine types. The applicability to a specific engine configuration must be verified by the persons/organizations performing this work.

| Gearbox part. no | Gearbox S/N |
|-------------------------|--------------------|
| 887703 | 85477 |
| 887703 | 86721 |
| 887703 | 86722 |
| 887703 | 86723 |
| 887703 | 86724 |
| 887708 | 86725 |
| 893341 | 86764 |
| 893341 | 86765 |
| 893341 | 86766 |
| 893341 | 86767 |
| 893341 | 86768 |
| 893341 | 86769 |
| 887703 | 86847 |
| 887703 | 86848 |
| 887708 | 86849 |
| 887708 | 86850 |
| 887708 | 86851 |
| 893341 | 86852 |
| 893341 | 86922 |
| 893341 | 86923 |
| 893341 | 86924 |
| 887703 | 86925 |
| 887703 | 86926 |
| 893341 | 86927 |
| 893341 | 86928 |
| 887708 | 86956 |
| 887703 | 87041 |
| 887703 | 87042 |

| Gearbox part. no | Gearbox S/N |
|-------------------------|--------------------|
| 887703 | 87043 |
| 887703 | 87044 |
| 887708 | 87256 |
| 887708 | 87257 |
| 887708 | 87258 |
| 887703 | 87340 |
| 893341 | 87341 |
| 893341 | 87342 |
| 893341 | 87343 |
| 893341 | 87452 |
| 893341 | 87453 |
| 893341 | 87454 |
| 893341 | 87455 |
| 887703 | 87479 |
| 887703 | 87480 |
| 887703 | 87481 |
| 887708 | 87482 |
| 887708 | 87483 |
| 887708 | 87484 |
| 887708 | 87485 |
| 887708 | 87486 |
| 887708 | 87487 |
| 887708 | 87488 |
| 887708 | 87489 |
| 887703 | 87502 |
| 887703 | 87639 |
| 887703 | 87640 |
| 887703 | 87641 |

| Gearbox part. no | Gearbox S/N |
|-------------------------|--------------------|
| 887703 | 87642 |
| 887703 | 87643 |
| 887703 | 87644 |
| 887703 | 87645 |
| 887703 | 87646 |
| 893341 | 87647 |
| 893341 | 87648 |
| 893341 | 87649 |
| 887703 | 87650 |
| 996605 | 87780 |
| 996605 | 87781 |
| 887708 | 87990 |
| 887708 | 87991 |
| 887708 | 87992 |
| 893341 | 87993 |
| 893341 | 87994 |
| 893341 | 87995 |
| 893341 | 87996 |
| 893341 | 87997 |
| 893346 | 88072 |
| 888560 | 88083 |
| 888560 | 88084 |
| 996605 | 88095 |
| 996605 | 88096 |
| 887703 | 88097 |
| 887708 | 88134 |
| 887703 | 88320 |
| 887703 | 88321 |

| Gearbox part. no | Gearbox S/N |
|-------------------------|--------------------|
| 887703 | 88322 |
| 893341 | 88323 |
| 893341 | 88324 |
| 893341 | 88325 |
| 893341 | 88326 |
| 893341 | 88327 |
| 887703 | 88400 |
| 887703 | 88401 |
| 996605 | 88402 |
| 996605 | 88403 |
| 887708 | 88570 |
| 996605 | 88609 |
| 996605 | 88610 |
| 996605 | 88611 |
| 996605 | 88612 |
| 996605 | 88613 |
| 996605 | 88614 |
| 887703 | 88651 |
| 887703 | 88652 |
| 887703 | 88653 |
| 887703 | 88654 |
| 887703 | 88655 |
| 887703 | 88656 |
| 887708 | 88657 |
| 887708 | 88658 |
| 887708 | 88659 |
| 893341 | 88660 |
| 893341 | 88661 |

| Gearbox part. no | Gearbox S/N |
|-------------------------|--------------------|
| 893341 | 88662 |
| 893341 | 88663 |
| 893341 | 88664 |
| 887708 | 88670 |
| 887708 | 88671 |
| 887708 | 88672 |
| 887708 | 88673 |
| 887708 | 88674 |
| 887708 | 88675 |
| 887708 | 88676 |
| 887703 | 88677 |
| 887703 | 88678 |
| 887703 | 88693 |
| 887703 | 88694 |
| 887703 | 88695 |
| 893341 | 88696 |
| 893341 | 88697 |
| 893341 | 88698 |
| 893341 | 88699 |
| 887708 | 89034 |
| 887708 | 89035 |
| 887708 | 89036 |
| 887708 | 89037 |
| 887703 | 89038 |
| 893341 | 89039 |
| 893341 | 89040 |
| 893341 | 89041 |
| 887703 | 89472 |

| Gearbox part. no | Gearbox S/N |
|-------------------------|--------------------|
| 887703 | 89473 |
| 887703 | 89474 |
| 887703 | 89475 |
| 887703 | 89476 |
| 887703 | 89477 |
| 887703 | 89478 |
| 887703 | 89479 |
| 887703 | 89480 |
| 887703 | 89670 |
| 887703 | 89671 |
| 887703 | 89672 |
| 887703 | 89673 |
| 887703 | 89674 |
| 893341 | 89675 |
| 888560 | 89822 |
| 893341 | 89832 |
| 893341 | 89833 |
| 893341 | 89834 |
| 887703 | 89835 |
| 887703 | 89836 |
| 887703 | 90036 |
| 887703 | 90037 |
| 887703 | 90038 |
| 887703 | 90039 |
| 887703 | 90040 |
| 887703 | 90041 |
| 887703 | 90042 |
| 887703 | 90043 |

| Gearbox part. no | Gearbox S/N |
|-------------------------|--------------------|
| 887703 | 90044 |
| 887703 | 90045 |
| 887703 | 90046 |
| 887703 | 90047 |
| 887703 | 90048 |
| 887703 | 90049 |
| 887703 | 90050 |
| 887703 | 90051 |
| 887703 | 90052 |
| 887703 | 90053 |
| 887703 | 90054 |
| 887703 | 90055 |
| 887703 | 90056 |
| 887708 | 90371 |
| 887703 | 90372 |
| 887708 | 90374 |
| 893341 | 90387 |
| 887703 | 90475 |
| 893346 | 90476 |
| 893346 | 90477 |
| 887703 | 90549 |
| 887703 | 90550 |
| 893341 | 90559 |
| 893341 | 90560 |
| 893341 | 90561 |
| 893341 | 90562 |
| 893341 | 90563 |
| 887703 | 90712 |

| Gearbox part. no | Gearbox S/N |
|-------------------------|--------------------|
| 887703 | 90713 |
| 887703 | 90714 |
| 893341 | 90715 |
| 893341 | 90716 |
| 893341 | 90717 |
| 893341 | 90718 |
| 893341 | 90719 |
| 893341 | 90802 |
| 996605 | 90974 |
| 996605 | 90975 |
| 887703 | 90976 |
| 887703 | 90977 |
| 887703 | 90978 |
| 887703 | 90979 |
| 887703 | 91092 |
| 887703 | 91093 |
| 893341 | 91096 |
| 893341 | 91097 |
| 893341 | 91121 |
| 887703 | 91172 |
| 887708 | 91173 |
| 887708 | 91174 |
| 887703 | 91384 |
| 887703 | 91542 |
| 893341 | 91561 |
| 893341 | 91562 |
| 887703 | 91736 |
| 887703 | 91737 |

| Gearbox part. no | Gearbox S/N |
|-------------------------|--------------------|
| 887703 | 91738 |
| 887703 | 91739 |
| 887703 | 91740 |
| 887703 | 91893 |
| 887708 | 91894 |
| 893341 | 92052 |
| 893341 | 92053 |
| 893341 | 92054 |
| 893341 | 92055 |
| 893341 | 92056 |
| 893341 | 92057 |
| 893341 | 92058 |
| 893341 | 92059 |
| 893341 | 92060 |
| 887703 | 92340 |
| 887708 | 92341 |
| 887708 | 92342 |
| 893341 | 92343 |
| 893341 | 92344 |
| 893341 | 92345 |
| 893341 | 92346 |
| 893341 | 92347 |
| 893341 | 92348 |
| 893341 | 92349 |
| 893341 | 92350 |
| 893341 | 92351 |
| 893341 | 92352 |
| 887271 | 92369 |

| Gearbox part. no | Gearbox S/N |
|-------------------------|--------------------|
| 887703 | 92370 |
| 887271 | 92511 |
| 887708 | 92560 |
| 887708 | 92561 |
| 887703 | 92562 |
| 893341 | 92563 |
| 893341 | 92564 |
| 893341 | 92565 |
| 893341 | 92566 |
| 887703 | 92729 |
| 887708 | 92833 |
| 887708 | 92834 |
| 887708 | 92849 |
| 888560 | 93059 |
| 887708 | 93127 |
| 893341 | 93245 |
| 893346 | 93433 |
| 887703 | 93434 |
| 887703 | 93463 |
| 887703 | 93580 |
| 887703 | 93581 |
| 887703 | 93582 |
| 887703 | 93583 |
| 887703 | 93584 |
| 887703 | 93585 |
| 887703 | 93586 |
| 996605 | 93587 |
| 996605 | 93588 |

| Gearbox part. no | Gearbox S/N |
|-------------------------|--------------------|
| 887708 | 93614 |
| 887708 | 93615 |
| 887703 | 93616 |
| 887703 | 93642 |
| 887703 | 93643 |
| 887703 | 93644 |
| 887703 | 93657 |
| 887703 | 93658 |
| 887703 | 93659 |
| 887271 | 93660 |
| 887703 | 93755 |
| 887703 | 93756 |
| 893346 | 93930 |
| 893346 | 93931 |
| 887703 | 93956 |
| 996605 | 93957 |
| 996605 | 93958 |
| 887703 | 93975 |
| 887703 | 93976 |
| 887703 | 93977 |
| 887703 | 93978 |
| 887703 | 93986 |
| 887703 | 93987 |
| 893341 | 94002 |
| 893341 | 94003 |
| 893341 | 94004 |
| 893341 | 94005 |
| 893341 | 94006 |

| Gearbox part. no | Gearbox S/N |
|-------------------------|--------------------|
| 893341 | 94007 |
| 893341 | 94008 |
| 893341 | 94009 |
| 888560 | 94021 |
| 893346 | 94024 |
| 887708 | 94039 |
| 887708 | 94040 |
| 887703 | 94041 |
| 996605 | 94042 |
| 893341 | 94043 |
| 887703 | 94058 |
| 887703 | 94059 |
| 887703 | 94060 |
| 996605 | 94061 |
| 996605 | 94062 |
| 887703 | 94109 |
| 887703 | 94110 |
| 887703 | 94219 |
| 887703 | 94220 |
| 887703 | 94336 |
| 887708 | 94337 |
| 887708 | 94338 |
| 893346 | 94339 |
| 996605 | 94417 |
| 887703 | 94452 |
| 887703 | 94453 |
| 893341 | 94517 |
| 893341 | 94518 |

| Gearbox part. no | Gearbox S/N |
|-------------------------|--------------------|
| 887708 | 94519 |
| 887708 | 94520 |
| 887703 | 94586 |
| 887703 | 94587 |
| 887703 | 94588 |
| 893341 | 94598 |
| 893341 | 94599 |
| 893341 | 94638 |
| 887703 | 94652 |
| 887708 | 94705 |
| 888560 | 94740 |
| 893346 | 94754 |
| 893346 | 94755 |
| 893346 | 94756 |
| 893341 | 94757 |
| 888560 | 94771 |
| 887708 | 94772 |
| 887708 | 94773 |
| 887708 | 94774 |
| 887708 | 94775 |
| 887708 | 94842 |
| 887708 | 94888 |
| 893341 | 94968 |
| 893346 | 94969 |
| 893346 | 94983 |
| 893346 | 94984 |
| 887708 | 94985 |
| 887708 | 94986 |

| Gearbox part. no | Gearbox S/N |
|-------------------------|--------------------|
| 887708 | 94987 |
| 887703 | 94989 |
| 887703 | 94990 |
| 887703 | 94991 |
| 887703 | 94992 |
| 887703 | 95031 |
| 887703 | 95032 |
| 887708 | 95033 |
| 887708 | 95034 |
| 887708 | 95091 |
| 893346 | 95142 |
| 893346 | 95143 |
| 887708 | 95199 |
| 887708 | 95307 |
| 887703 | 95308 |
| 887703 | 95309 |
| 887703 | 95310 |
| 887703 | 95505 |
| 887703 | 95506 |
| 887703 | 95507 |
| 887703 | 95508 |
| 887703 | 95512 |
| 887703 | 95513 |
| 893341 | 95514 |
| 893341 | 95515 |
| 888560 | 95535 |
| 893341 | 95536 |
| 887703 | 95621 |

| Gearbox part. no | Gearbox S/N |
|-------------------------|--------------------|
| 887703 | 95622 |
| 996605 | 95623 |
| 893346 | 95694 |
| 893346 | 95731 |
| 893346 | 95732 |
| 887703 | 95733 |
| 996605 | 95734 |
| 893341 | 95735 |
| 893341 | 95736 |
| 887703 | 95816 |
| 887703 | 95843 |
| 887703 | 95844 |
| 887708 | 95845 |
| 887708 | 95846 |
| 996605 | 95879 |
| 996605 | 95880 |
| 887703 | 95881 |
| 887703 | 95882 |
| 893341 | 95883 |
| 887703 | 95913 |
| 887703 | 95914 |
| 887703 | 95915 |
| 893346 | 96086 |
| 893346 | 96087 |
| 887703 | 96096 |
| 887708 | 96097 |
| 996605 | 96098 |
| 996605 | 96099 |

| Gearbox part. no | Gearbox S/N |
|-------------------------|--------------------|
| 887703 | 96161 |
| 887703 | 96162 |
| 996605 | 96164 |
| 996605 | 96165 |
| 893346 | 96204 |
| 887703 | 96232 |
| 887703 | 96233 |
| 887703 | 96234 |
| 887703 | 96289 |
| 887703 | 96291 |
| 887703 | 96292 |
| 893341 | 96294 |
| 887708 | 96342 |
| 887703 | 96470 |
| 887703 | 96478 |
| 887708 | 96480 |
| 887708 | 96481 |
| 893346 | 96486 |
| 887703 | 96487 |
| 893341 | 96538 |
| 887703 | 96549 |
| 887703 | 96550 |
| 887281 | 96610 |
| 887281 | 96611 |
| 887281 | 96612 |
| 887703 | 96649 |
| 887703 | 96650 |
| 887703 | 96651 |

| Gearbox part. no | Gearbox S/N |
|-------------------------|--------------------|
| 887703 | 96652 |
| 887708 | 96654 |
| 893346 | 96656 |
| 887703 | 260509 |
| 887703 | 260510 |
| 893341 | 260590 |
| 893341 | 260591 |
| 893341 | 260592 |
| 887281 | 260736 |
| 893341 | 260737 |
| 893341 | 260738 |
| 887708 | 260786 |
| 887703 | 260799 |
| 887708 | 260820 |
| 887703 | 260824 |
| 996605 | 260826 |